



# FISHER

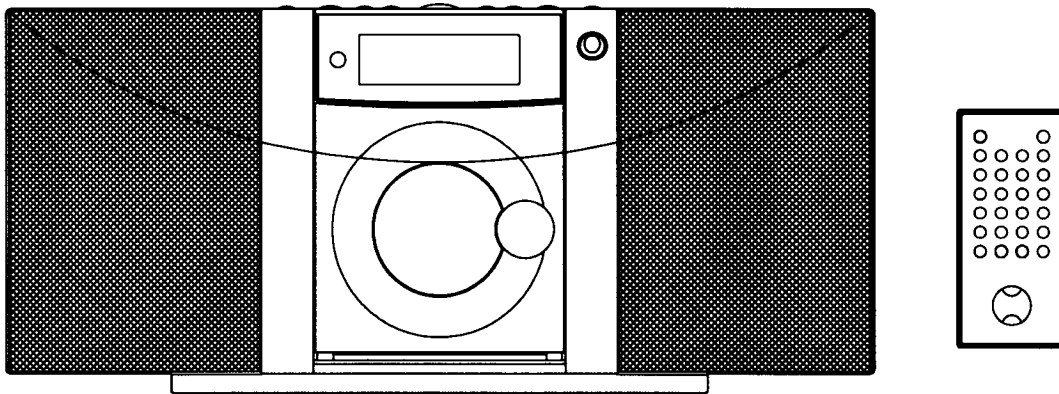
AUDIO/VIDEO

## SERVICE MANUAL

# MODEL SLIM-1800

**CAUTION:** Before servicing the chassis, read the "Important Service Safety Information" section on page 2 of this manual.

### AM/FM STEREO CD PLAYER WITH COOK TIMER



#### SPECIFICATIONS

RADIO	AM	FM
Frequency Range	520-1710KHz	87.5-107.9MHz
IF	450KHz	10.7MHz
Antenna	PIG TAIL	50OHM
<b>Audio</b>		
Power Supply	AC 120V, 60Hz	
Speaker	4 ohm	
Audio Power Output	2 x 5W 10%THD	

#### CONTENTS

IMPORTANT SERVICE SAFETY INFORMATION	2
DISASSEMBLY INSTRUCTIONS	3
ALIGNMENT PROCEDURES	4
ADJUSTMENT LOCATIONS	5
BLOCK DIAGRAM	6
WIRING DIAGRAM	7
IC BLOCK DIAGRAMS	8-12
PRINTED CIRCUIT BOARDS	13-18
SCHEMATIC DIAGRAMS	19-21
EXPLODED VIEW	22
EXPLODED VIEW PARTS LIST	23
REPLACEMENT PARTS LIST	24-29

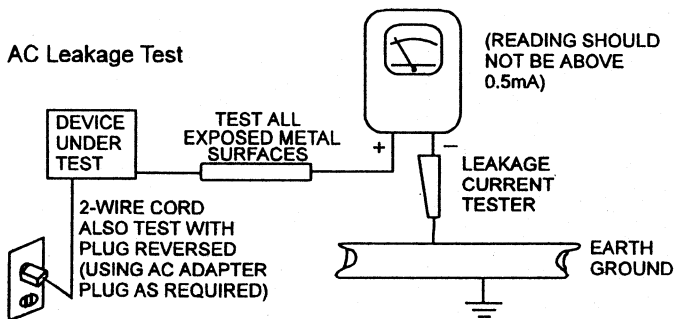
# SERVICE PUBLICATION

# IMPORTANT SERVICE SAFETY INFORMATION

## 1. SAFETY PRECAUTIONS

Before returning a unit to the customer, always make a safety check of the entire unit, including, but not limited to the following items:

- Be sure that no built-in protective devices are defective and/or have been defeated during servicing.
  - Protective shields are provided to protect both the technician and the customer. Correctly replace all missing protective shields including any removed for servicing convenience.
  - When reinstalling the chassis and/or other assemblies in the cabinet, be sure to put back in place all protective devices, including, but not limited to, nonmetallic control knobs, insulating fishpapers, adjustment and compartment covers/shields and isolation resistor/capacitor networks. Do not operate this unit or permit it to be operated without all protective devices correctly installed and functioning.
- Be sure that there are no cabinet openings through which an adult or child might be able to insert their fingers and contact a hazardous voltage. Such openings include, but are not limited to, excessively wide cabinet ventilation slots, and an improperly fitted and/or incorrectly secured cabinet back cover.
- Leakage Current Hot Check - With the unit completely reassembled, plug the AC line cord directly into a 120V AC outlet. (Do not use an isolation transformer during this test.) Use a leakage current tester or a metering system that complies with American National Standards Institute (ANSI) C101.1 "Leakage Current for Appliances" and Underwriters Laboratories (UL) 1410, (50.7). With the unit AC switch first in the ON position and then in the OFF position, measure from a known earth ground (metal water pipe, conduit, etc.) to all exposed metal parts of the unit (antennas, handle bracket, metal cabinet, screwheads, metallic overlays, control shaft, etc.), especially any exposed metal parts that offer an electrical return path to the chassis. Any current measured must not exceed 0.5 milliamp. Reverse the unit power cord plug in the outlet and repeat test. ANY MEASUREMENTS NOT WITHIN THE LIMITS SPECIFIED HEREIN INDICATE A POTENTIAL SHOCK HAZARD THAT MUST BE ELIMINATED BEFORE RETURNING THE UNIT TO THE CUSTOMER.

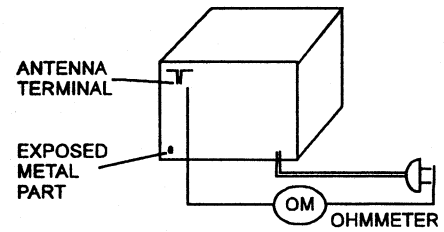


- Insulation Resistance Test Cold Check

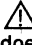
Unplug the power supply cord and connect a jumper wire between the two prongs of the plug.

Turn on the power switch of the unit.

Measure the resistance with an ohmmeter between the jumpered AC plug and each exposed metallic cabinet part on the unit, such as screwheads, antenna, control shafts, handle brackets, etc. When the exposed metallic part has a return path to the chassis, the reading should be between 1 and 5.2 megohms. When there is no return path to the chassis, the reading must be "infinite". If it is not within the limits specified, there is the possibility of a shock hazard, and the unit must be repaired and rechecked before it is returned to the customer.



## 2. PRODUCT SAFETY NOTICE

Some electrical and mechanical parts have special safety related characteristics which are often not evident from visual inspection, nor can the protection they give necessarily be obtained by replacing them with components rated for higher voltage, wattage, etc. Parts that have special safety characteristics are identified by a  on schematic and parts list. Use of a substitute replacement that does not have the same safety characteristics as the recommended replacement part might create shock, fire, and/or other hazards. Product Safety is under review continuously and new instructions are issued whenever appropriate.

## 3. SERVICING PRECAUTIONS

**CAUTION:** Before servicing the unit covered by this service manual and its supplements, read and follow the SAFETY PRECAUTIONS on this page. **NOTE:** If unforeseen circumstances create a conflict between the following servicing precautions and any of the safety precautions, always follow the safety precautions. Remember: Safety First.

General Servicing Precautions.

- Always unplug the unit's AC power cord from the AC power source before:
  - removing or reinstalling any component, circuit board, module, or any other unit assembly.
  - disconnecting or reconnecting any unit electrical plug or other electrical connection.
  - connecting a test substitute in parallel with an electrolytic capacitor in the unit.
 

Caution: A wrong part substitution or incorrect polarity installation of electrolytic capacitors may result in an explosion hazard.
- Do not defeat any plug/socket B+ voltage interlocks with which the unit covered by this service manual might be equipped.
- Do not apply AC power to this unit and/or any of its electrical assemblies unless all solid-state device heat sinks are correctly installed.
- Always connect a test unit instrument's ground lead to the unit's chassis ground before connecting the test instrument's positive lead. Always remove the test instrument's ground lead last.

## 4. LASER PRECAUTIONS

**WARNING!!**

- When servicing, (in case it is necessary to confirm Laser Beam Emission) be sure not to place your eyes any closer than 1 ft or 30cm from the surface of the Objective Lens on the Optical Pickup Block.

**HANDLING THE LASER PICKUP**

- Laser diodes are extremely susceptible to damage from static electricity. Even if a static discharge does not ruin the diode, it can shorten its life or cause it to work improperly. When replacing the pickup, use a conductive mat on the floor and desk and wear a wrist band connected to ground through a 1M ohm resistor to protect the laser diode from static damage. If the lens should get dusty, blow off the dust carefully from the object.
- There are no adjustable parts in the pickup assembly. If it is defective, replace the whole pickup assembly.

**CAUTION:**

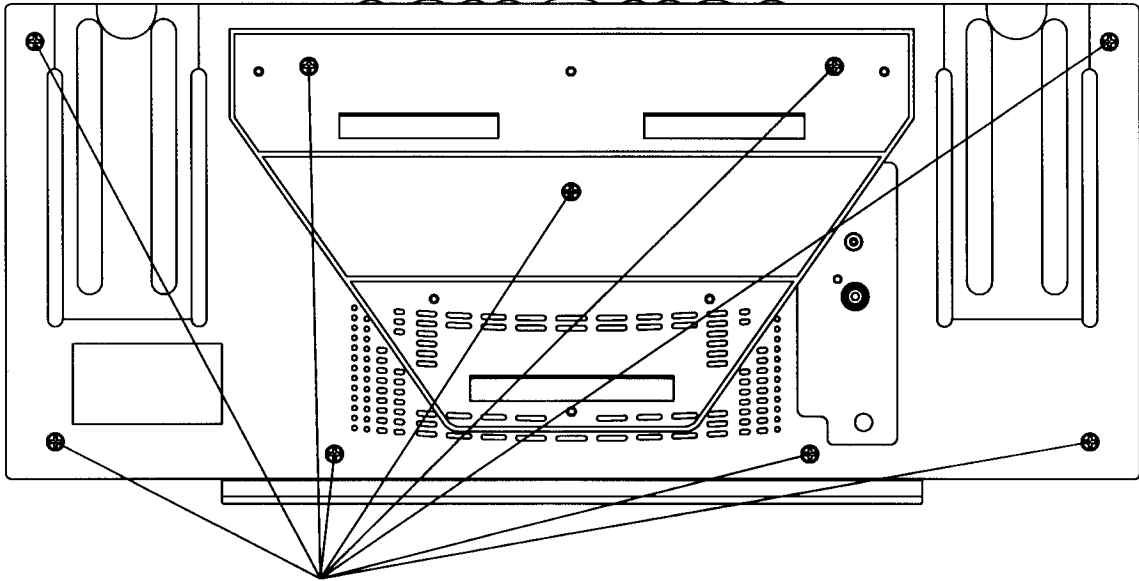
USE OF CONTROLS, ADJUSTMENTS OR PERFORMANCE OF PROCEDURES HEREIN MAY RESULT IN HAZARDOUS RADIATION EXPOSURE.

**DANGER:**

IF INTERLOCK FAILS OR IS DEFEATED, THE LASER LIGHT IS ABLE TO FUNCTION. THE LASER IS INVISIBLE, AVOID DIRECT EXPOSURE TO BEAM.

## DISASSEMBLY INSTRUCTIONS

- 1) ROTATE THE UNIT TO EXPOSE THE BOTTOM SIDE.
- 2) REMOVE THE 9 SCREWS AS SHOWN IN FIG.1.



9PCS. S/T SCREW TA/BH 3X20

FIG.1

# ALIGNMENT PROCEDURES

## AM I.F. ALIGNMENT

1. Set the POWER BUTTON to POWER"ON".
2. Set the Radio and band button to Radio and AM BAND.
3. Connect a SWEEPSCOPE OUTPUT to AM antenna terminal.
4. Connect a SWEEPSCOPE INPUT to pin14,15 of IC001 through a 1uf capacitor and ground.

STEP	SET SIGNAL	SET DIAL	ADJUST	ADJUST FOR
1	450KHz	GANG OPEN	T3(AM IF)	CENTER &MAXIMUM OUTPUT

## AM R.F. ALIGNMENT

1. Connect an RF generator to a standard radiating loop.
2. Connect a SCOPE and VTVM across the speaker output.

STEP	SET SIGNAL	SET DIAL	ADJUST	ADJUST FOR
1	520KHz	520KHz	T2 (AM OSC COIL)	MAXIMUM OUTPUT
2	1710KHz	1710KHz		
3	600KHz	600KHz	AM COIL	
4	1400KHz	1400KHz	CT2(AM ANT TRIM.)	
5	REPEAT STEPS 3 AND 4 TO OBTAIN BEST TRACKING.			

## FM I.F. ALIGNMENT

1. Set the POWER SWITCH to POWER "ON".
2. Set the Radio and band button to Radio and FM BAND.
3. Connect a SWEEPSCOPE OUTPUT to pin1 of IC001 through a 20pF capacitor and ground.
4. Connect a SWEEPSCOPE INPUT to pin14,15 of IC2 through a 1uf capacitor and ground.

STEP	SET SIGNAL	SET DIAL	ADJUST	ADJUST FOR
1	10.7MHz	GAND OPEN	(FM IF T)	WITH 10.7MHz AT ZERO CROSSOVER

## FM R.F. ALIGNMENT

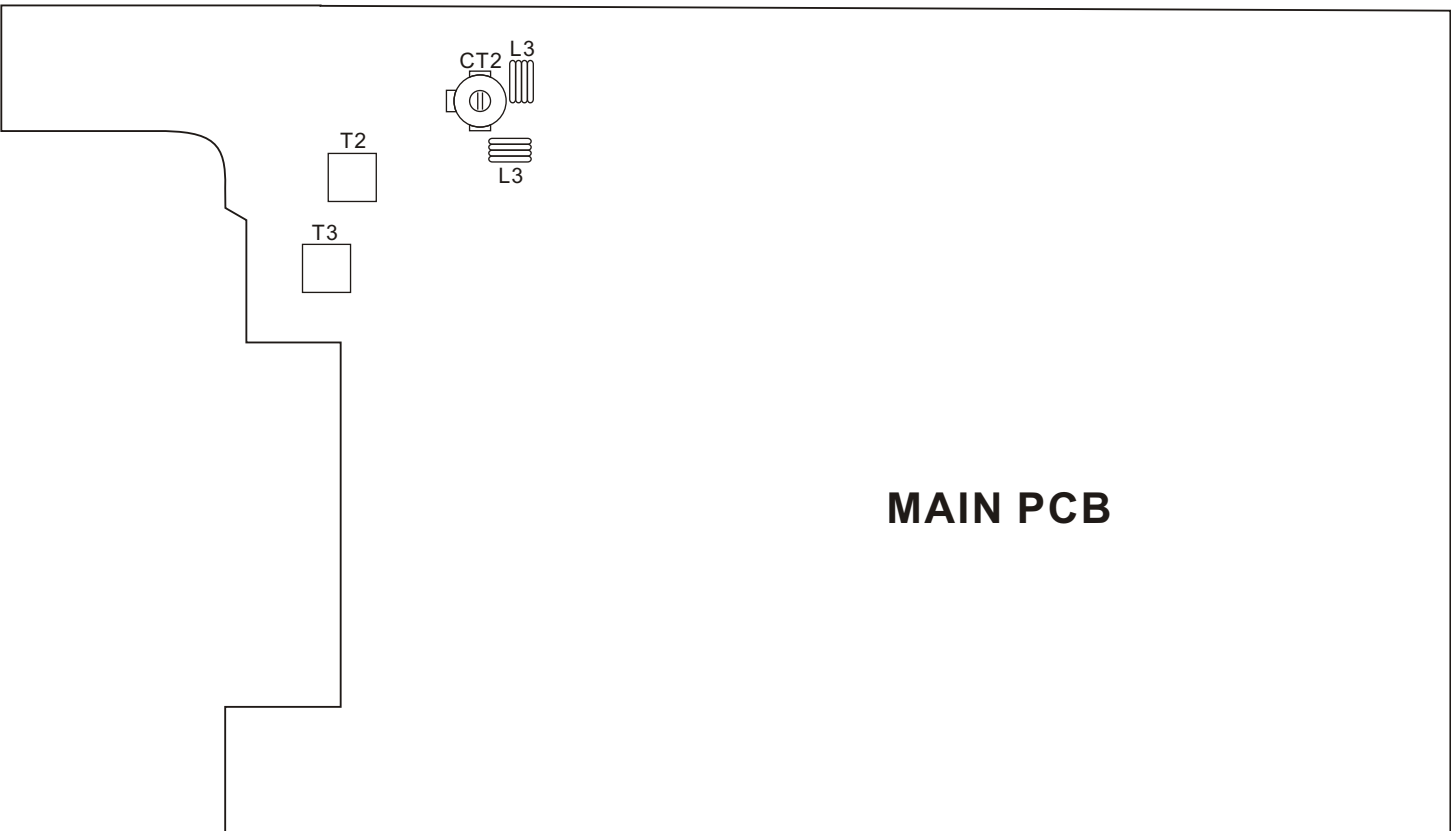
1. Connect an RF generator to the FM antenna terminal and ground.
2. Connect a SCOPE & VTVM across the speaker output.

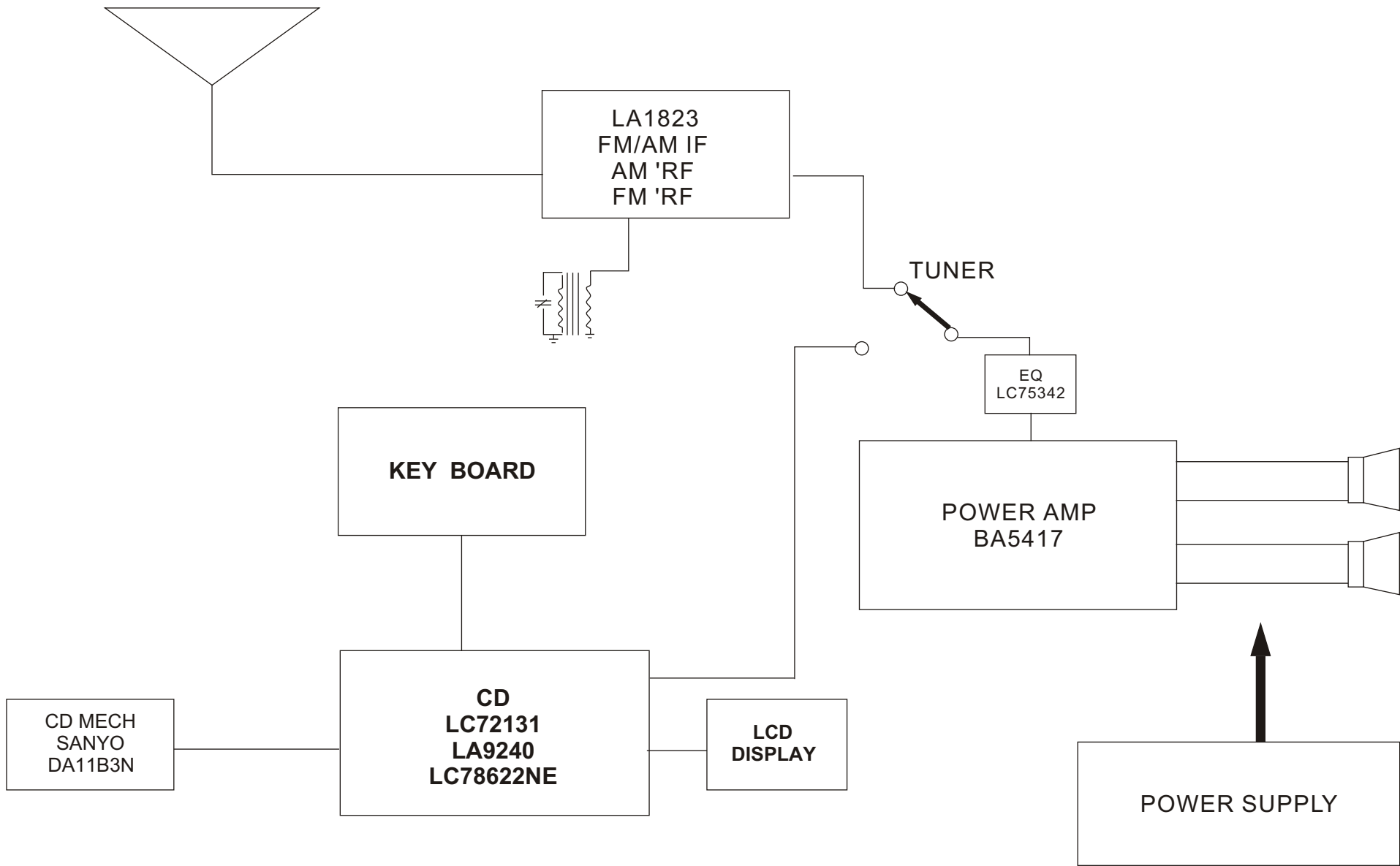
STEP	SET SIGNAL	SET DIAL	ADJUST	ADJUST FOR
1	87.5MHz	GANG CLOSED	L2	MAXIMUM OUTPUT
2	107.9MHz	GANG OPEN		
3	98.1MHz	98.1MHz	L1	
4	106.1MHz	106.1MHz		
5	REPEAT STEPS 3 AND 4 TO OBTAIN BEST TRACKING.			

## CD ALIGNMENT

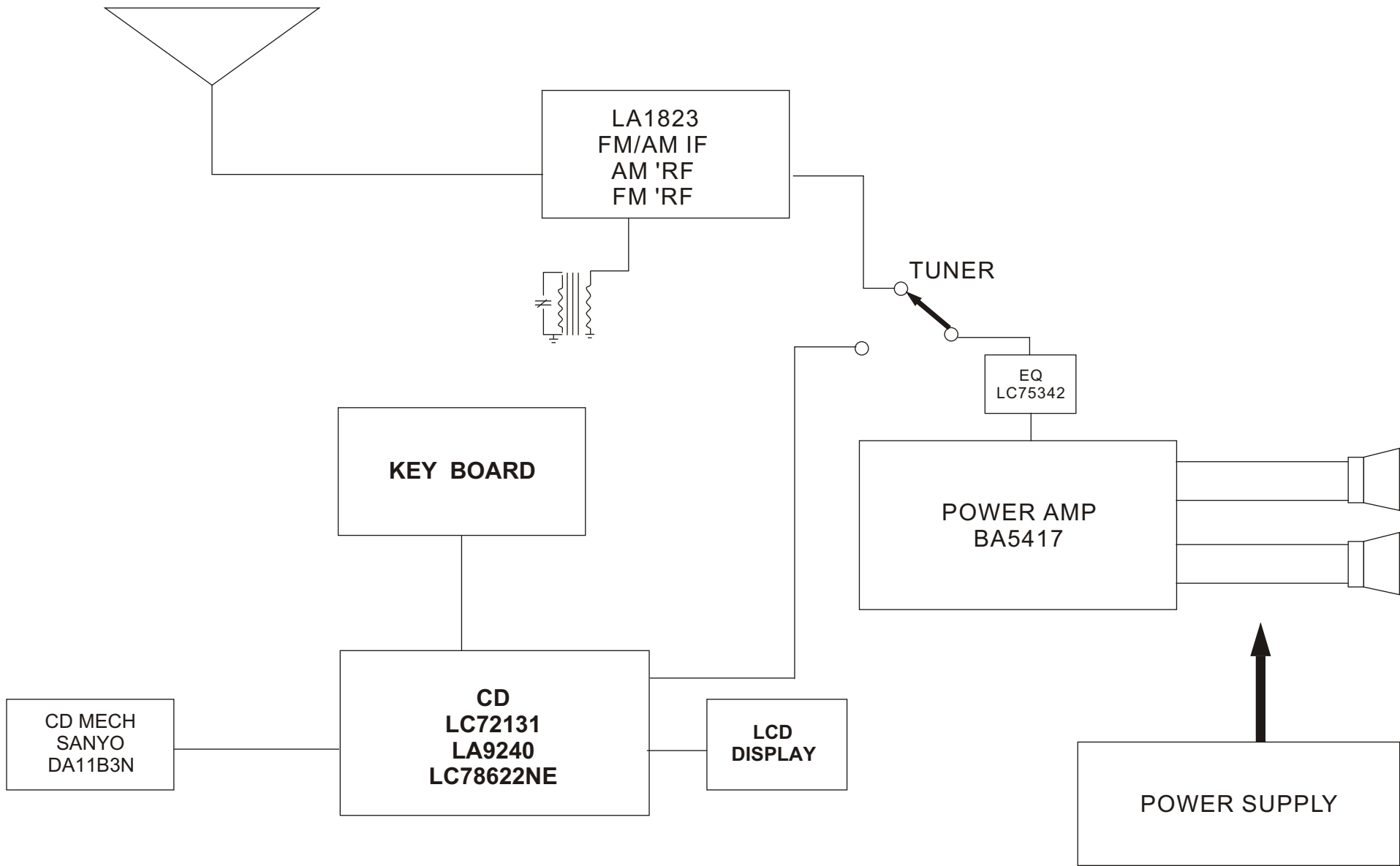
Auto alignment.

# ADJUSTMENT LOCATIONS

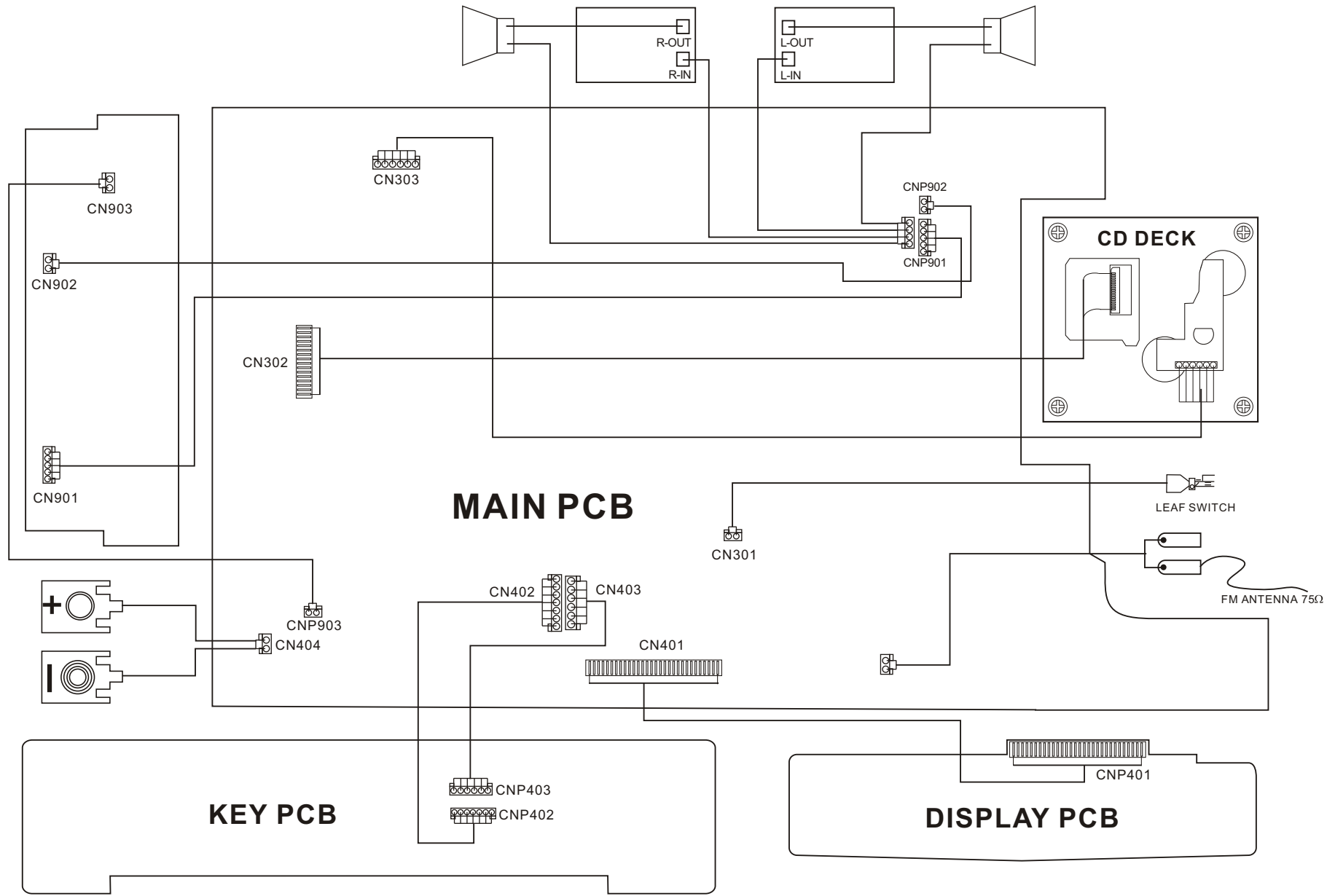




BLOCK DIAGRAM



BLOCK DIAGRAM

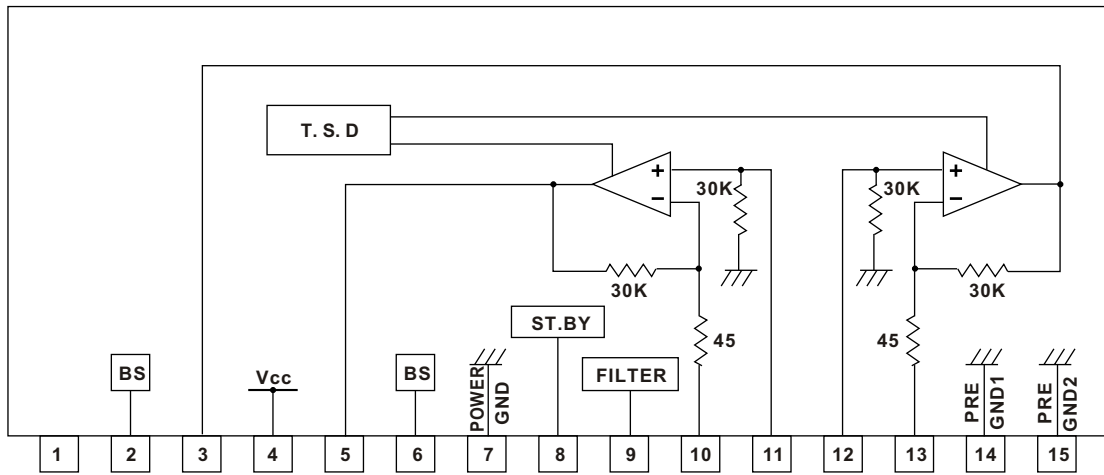


WIRING DIAGRAM

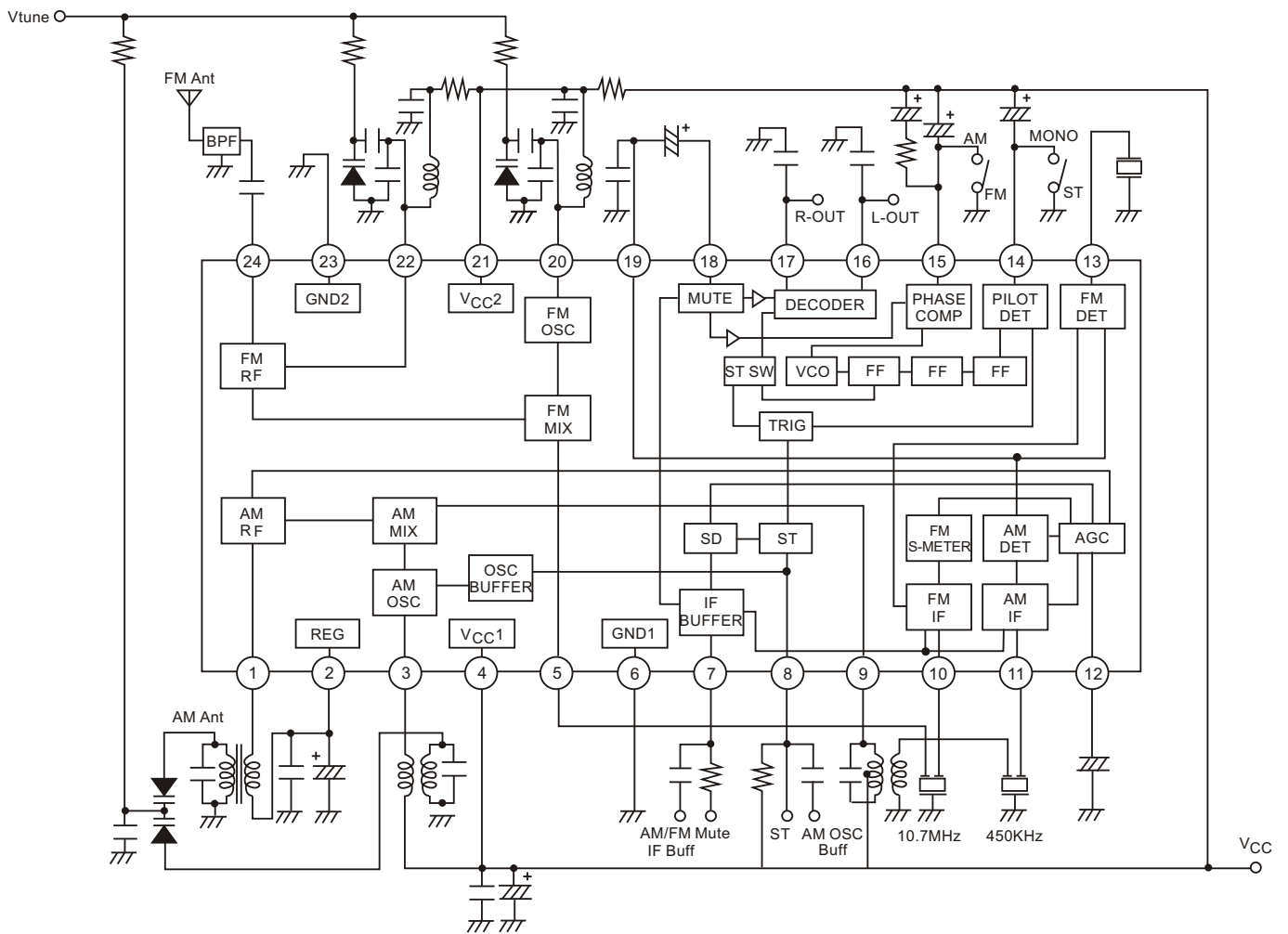


# IC BLOCK DIAGRAMS

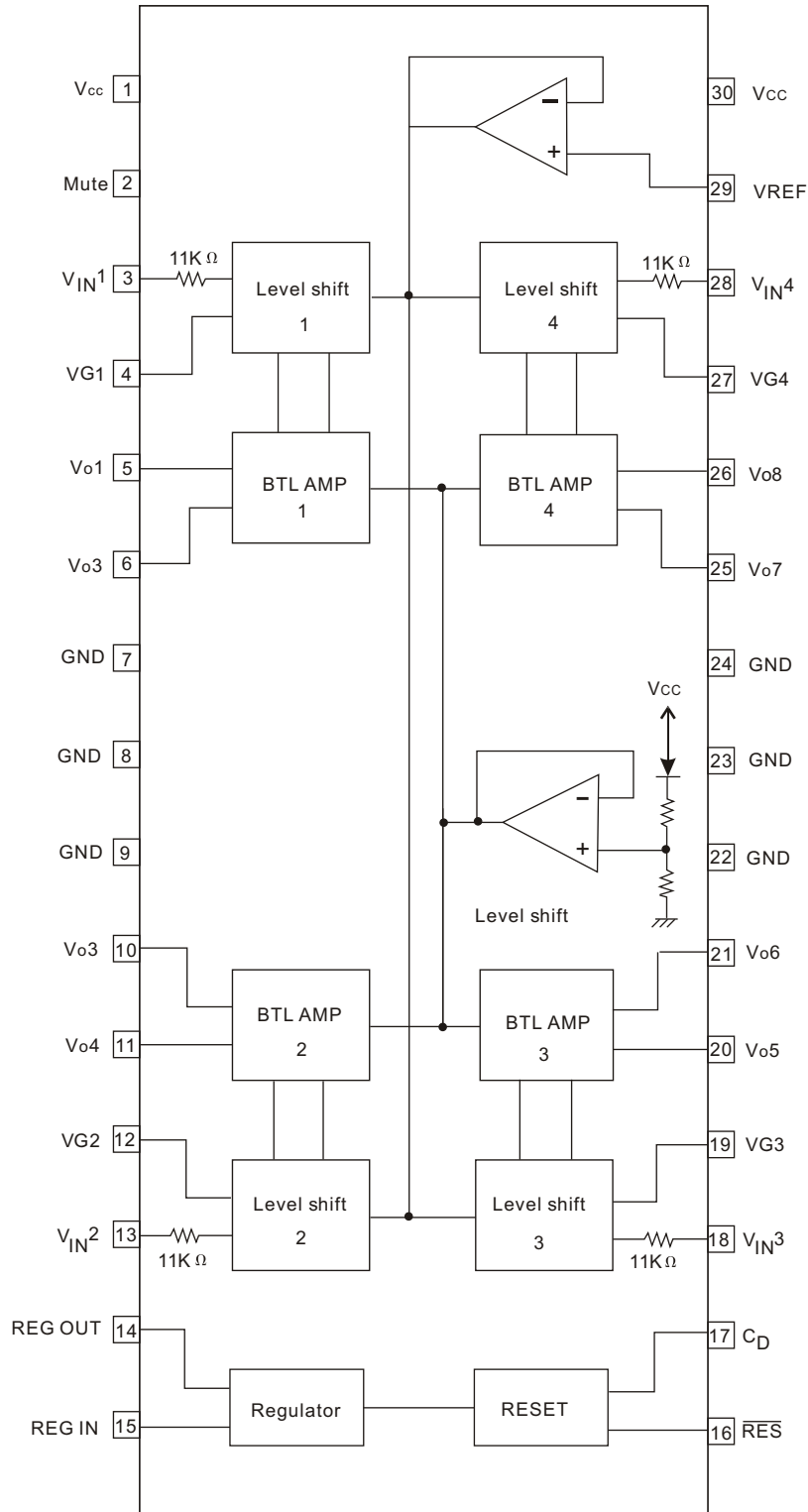
## BA5417



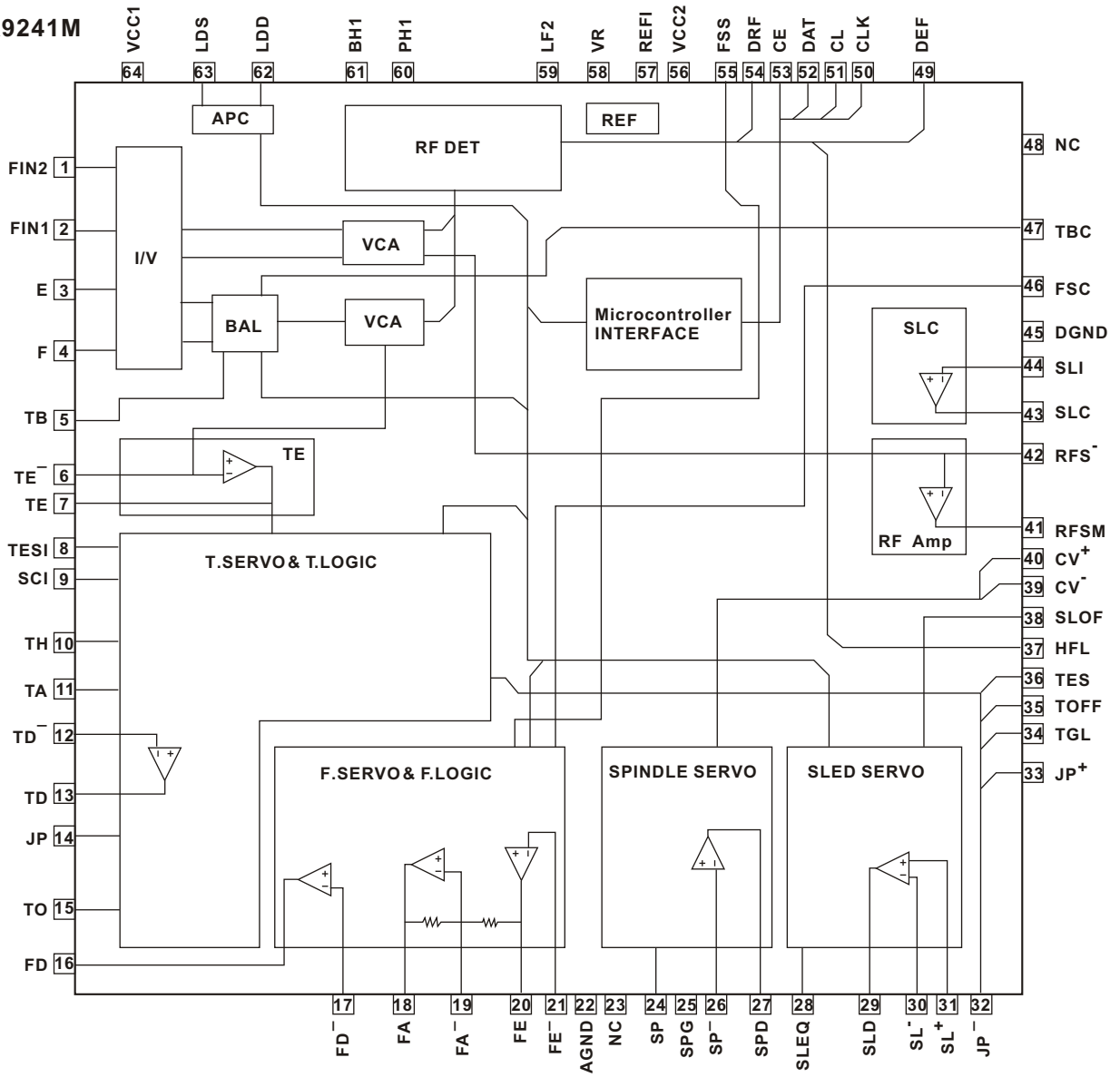
## LA1823



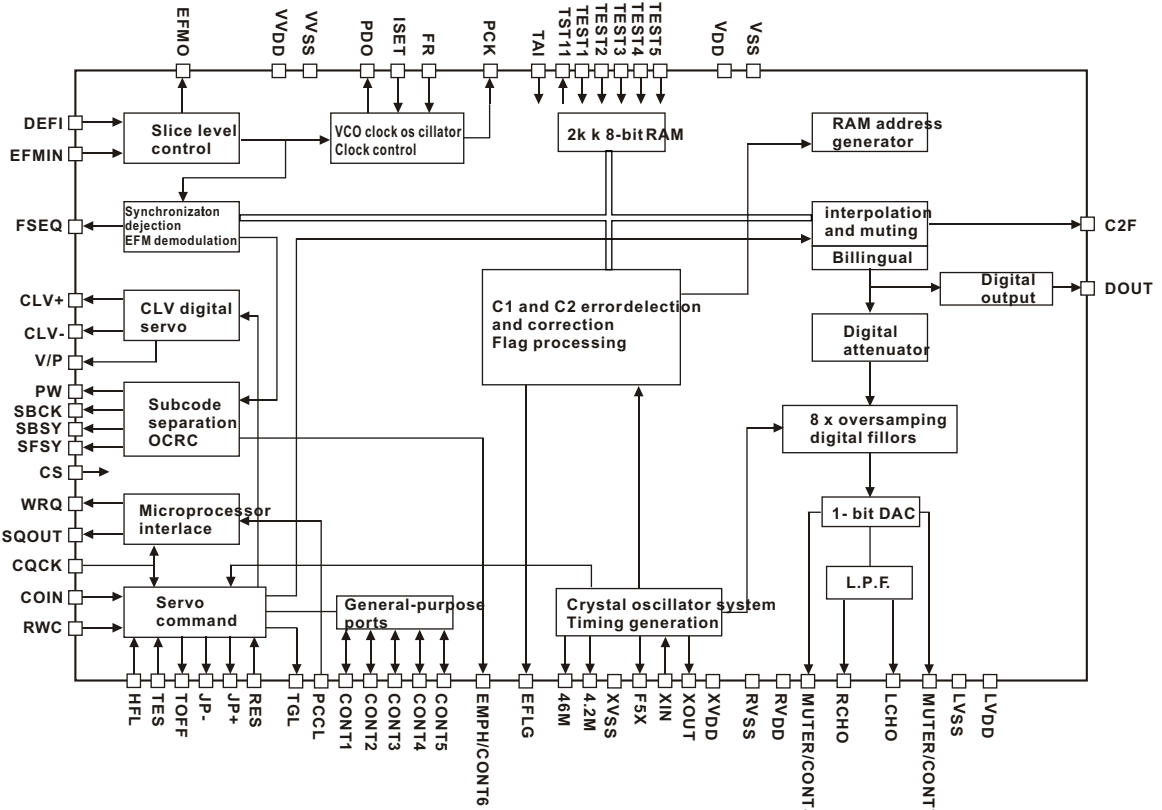
LA6541D



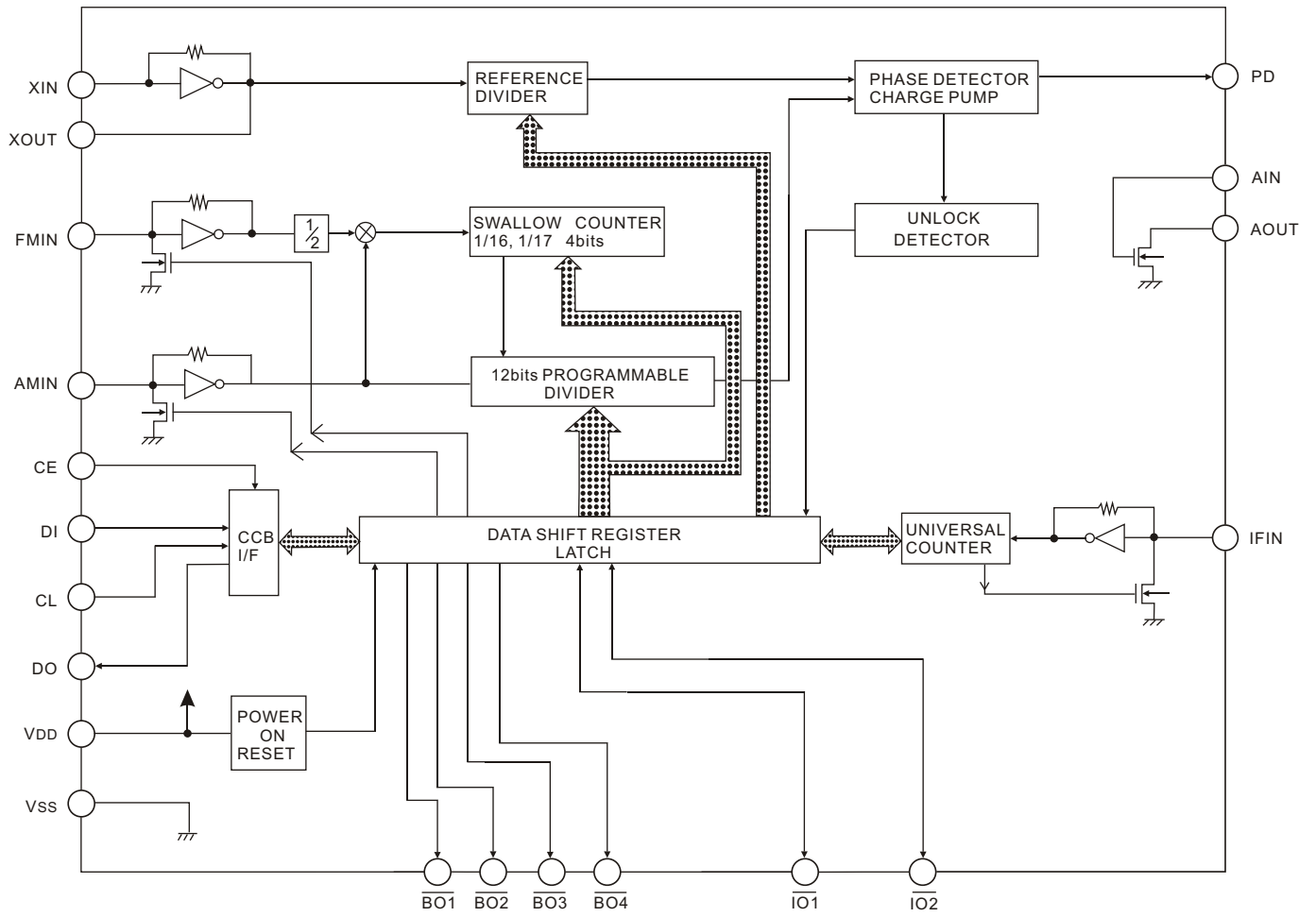
# LA9241M



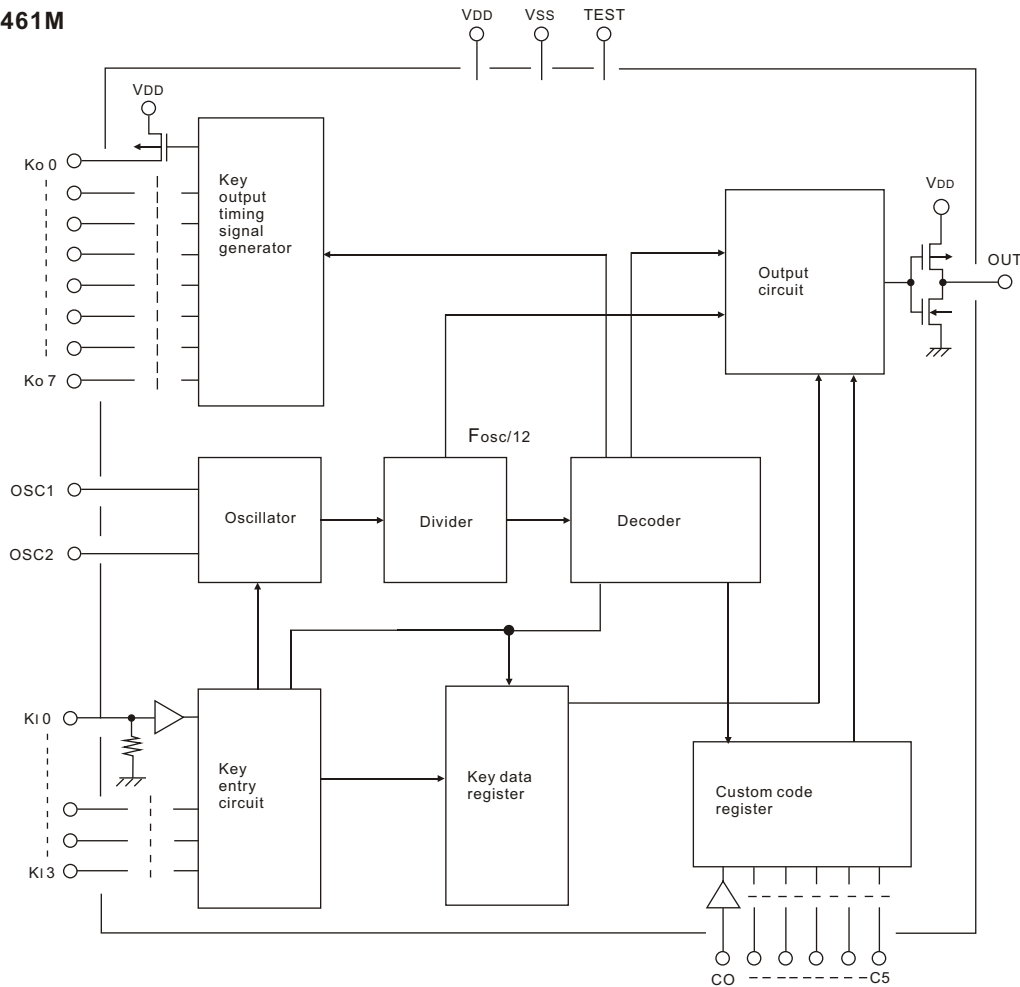
# LC78622NE

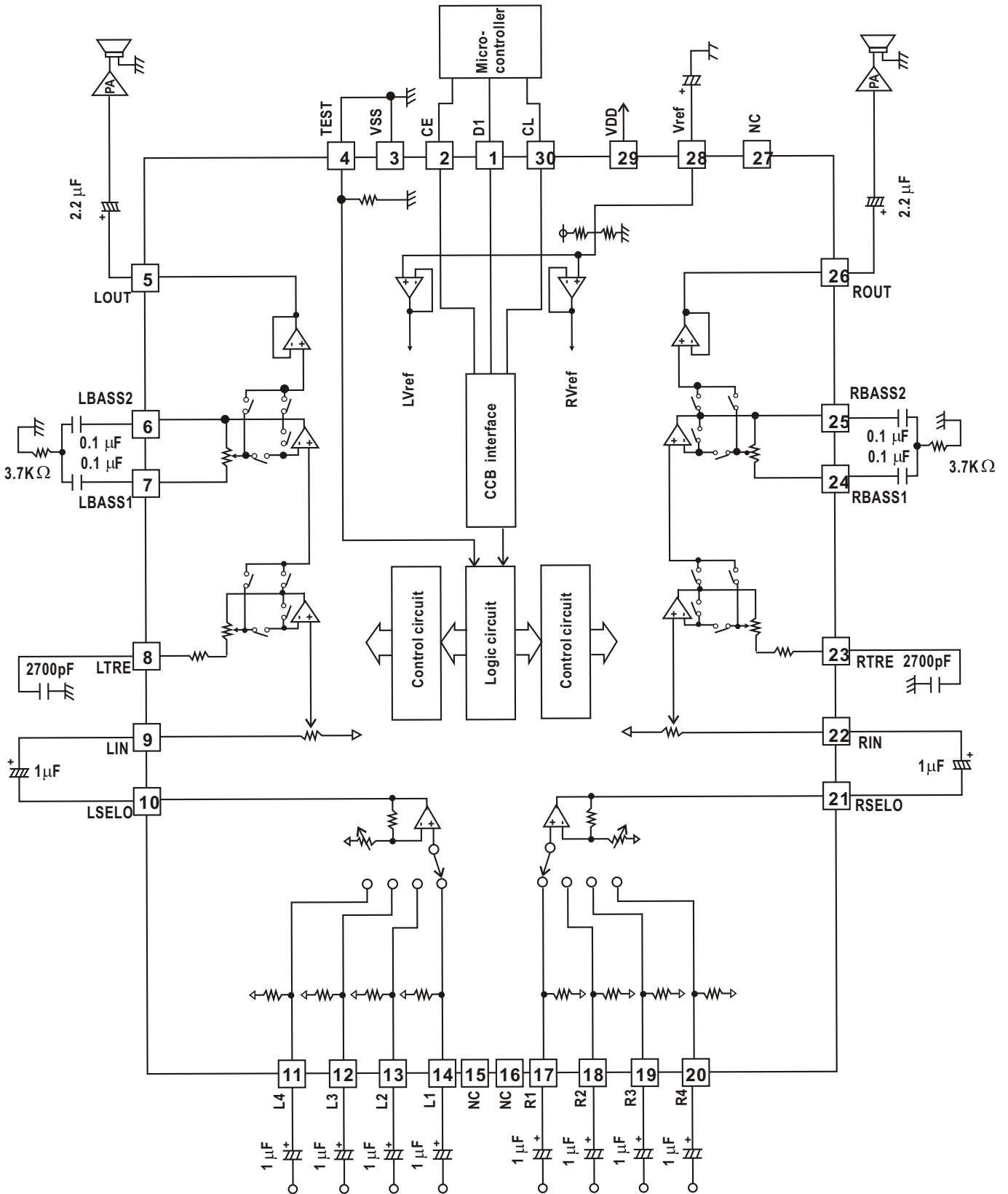


**LC72131, 72131M**



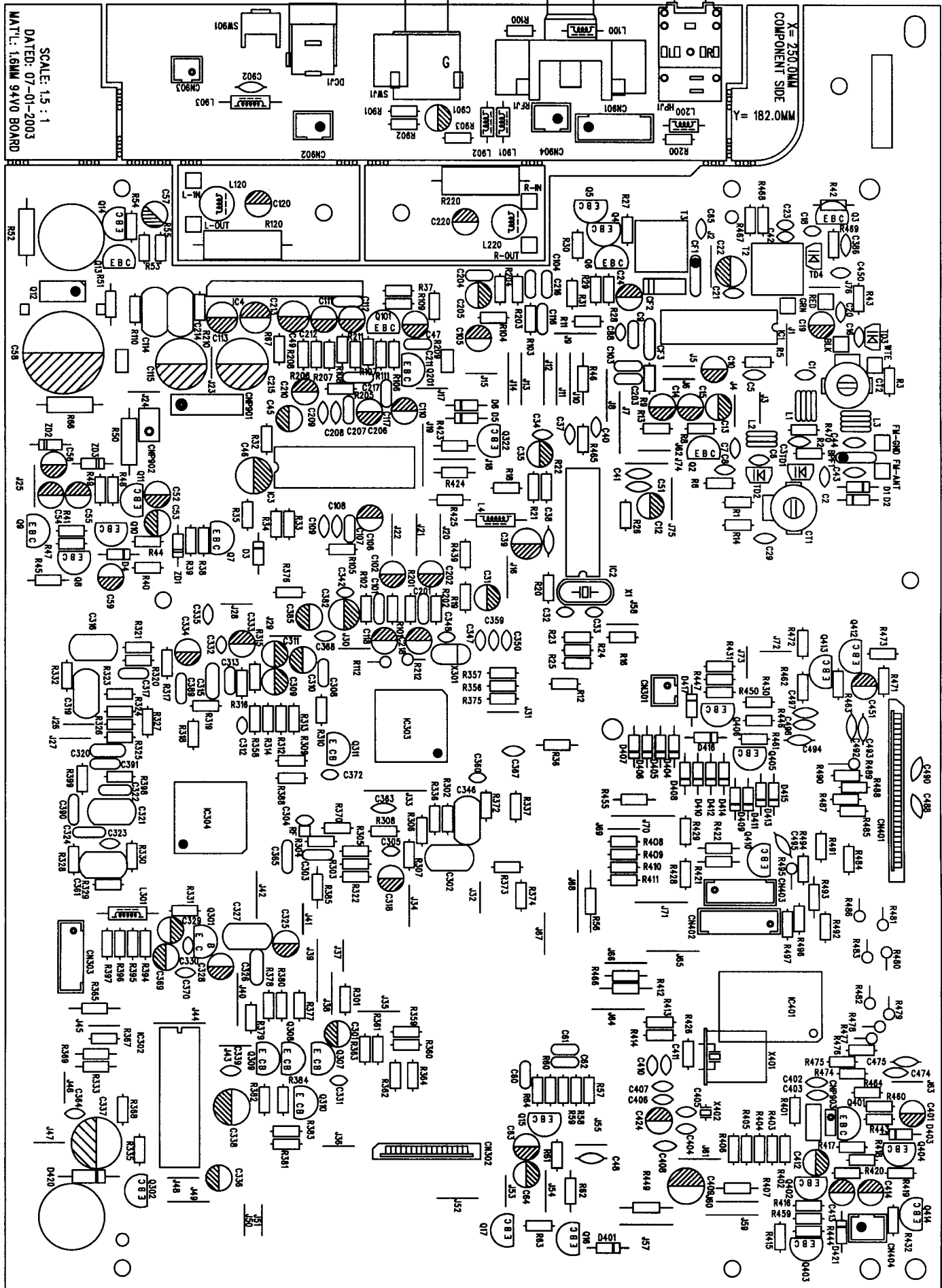
**LC7461M**



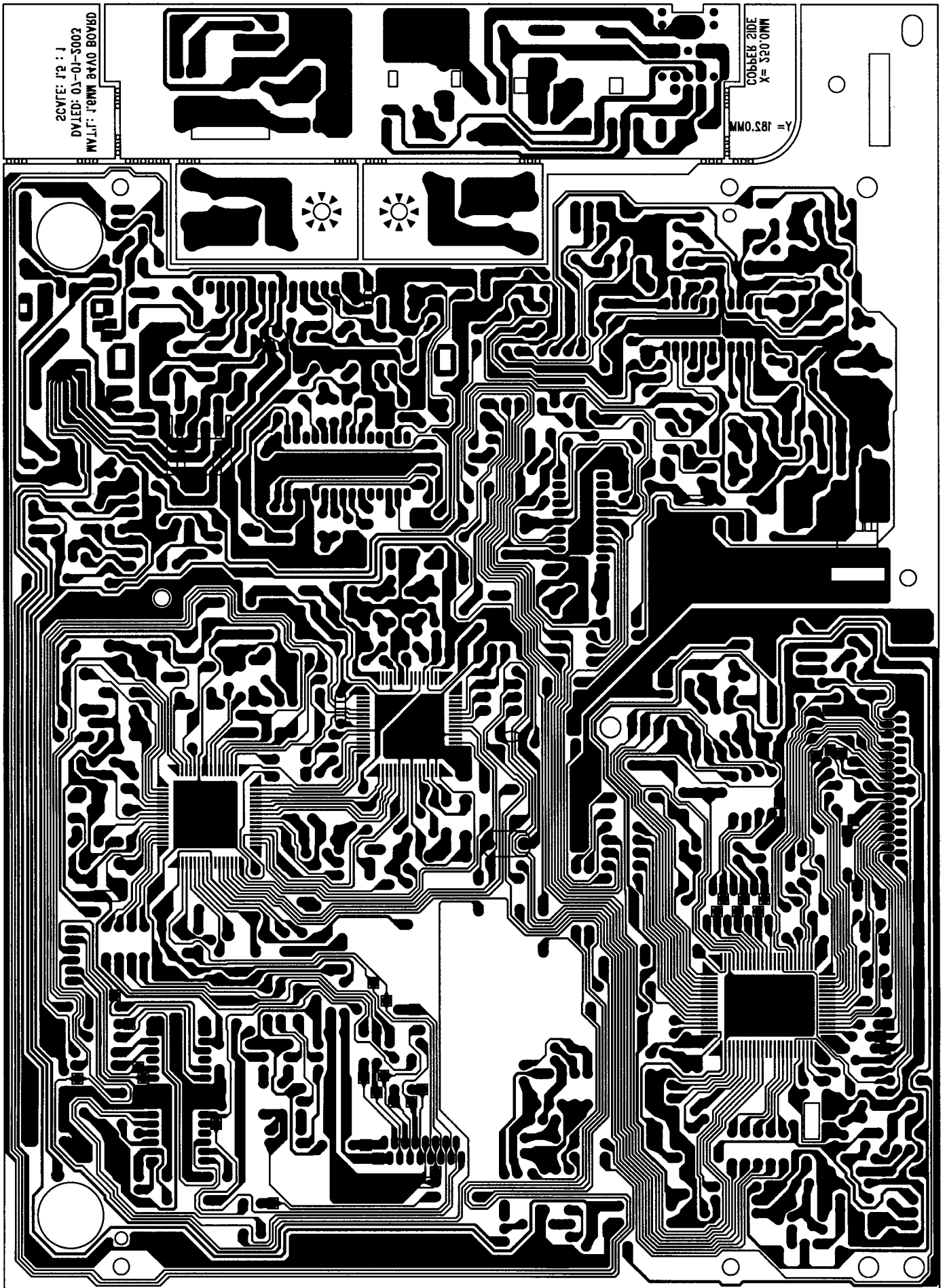


# PRINTED CIRCUIT BOARDS

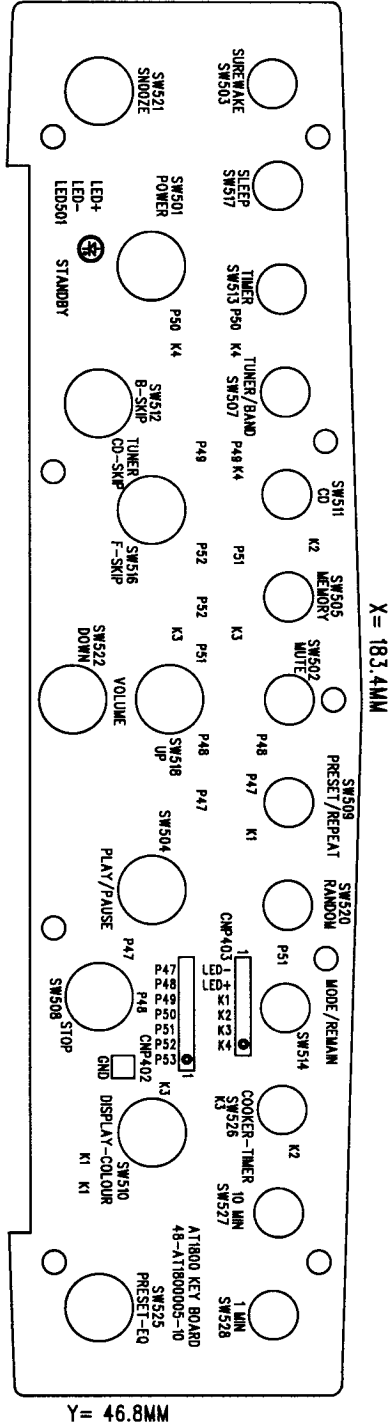
## MAIN PCB



MAIN PCB

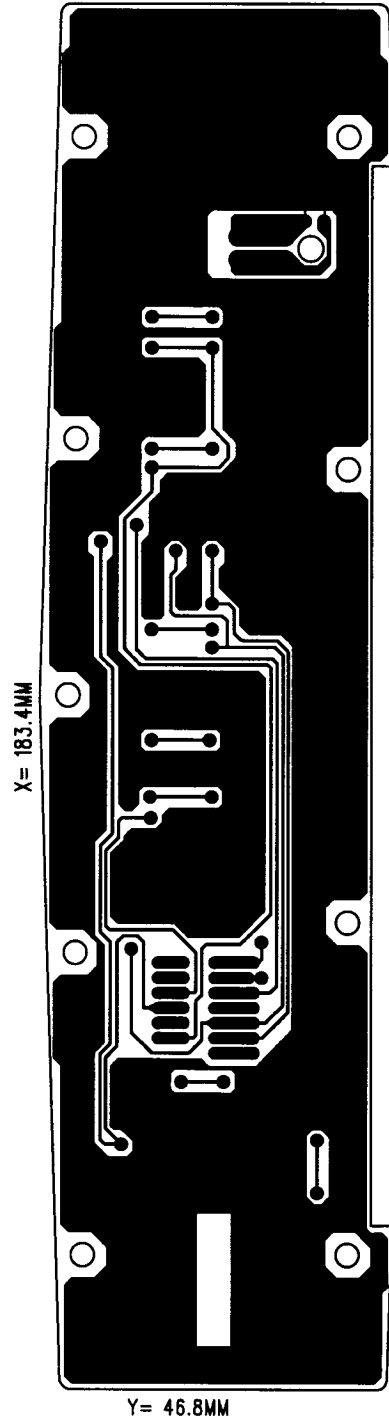


# KEY PCB

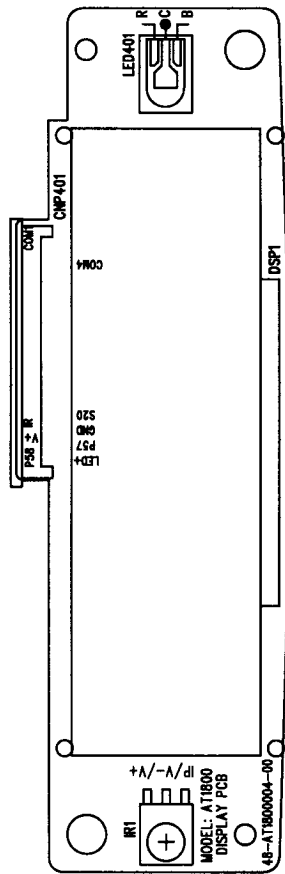




# KEY PCB

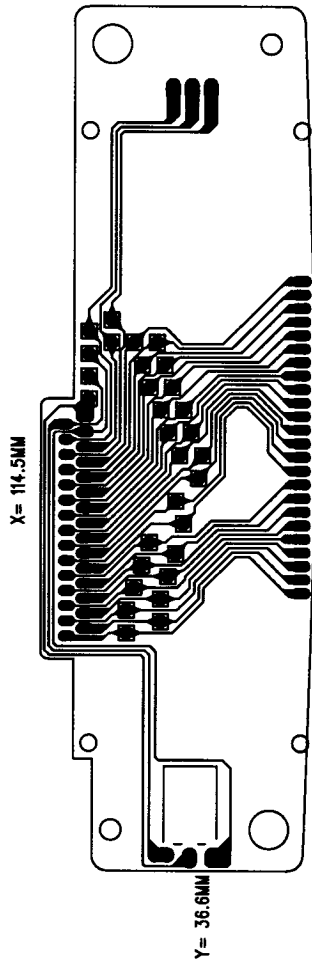


# DISPLAY PCB

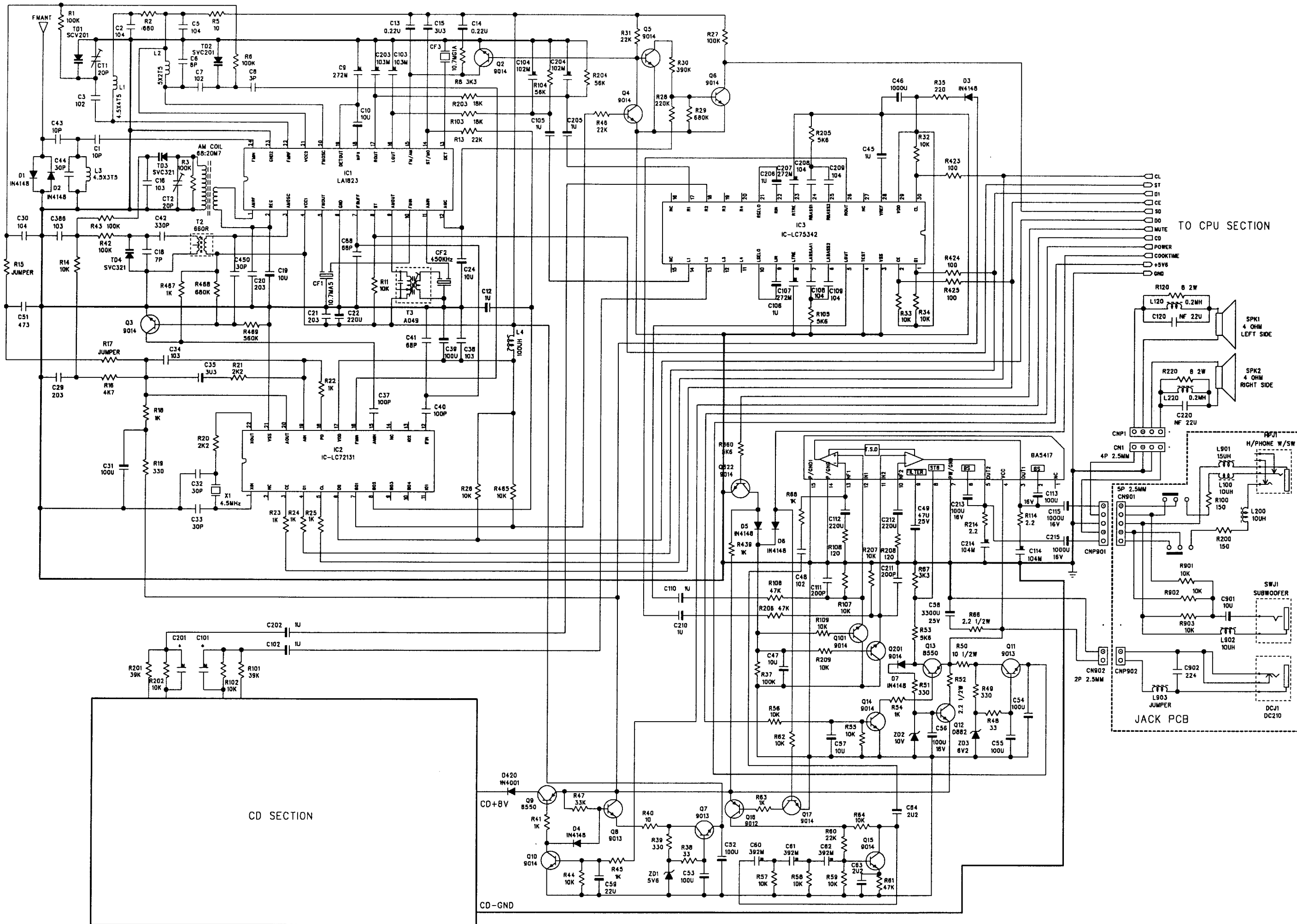


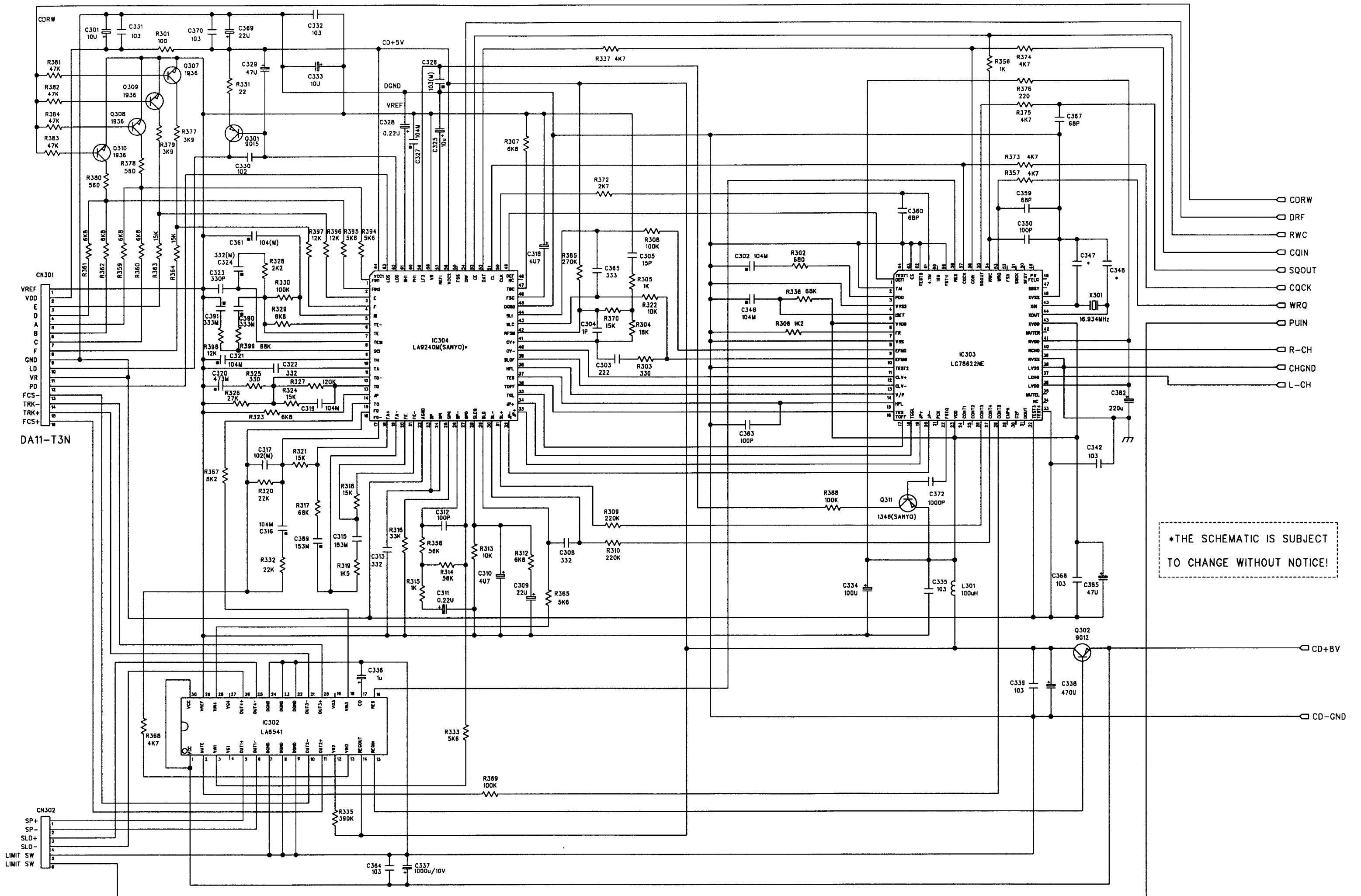
LAYER: TOP SCREEN L1&L26

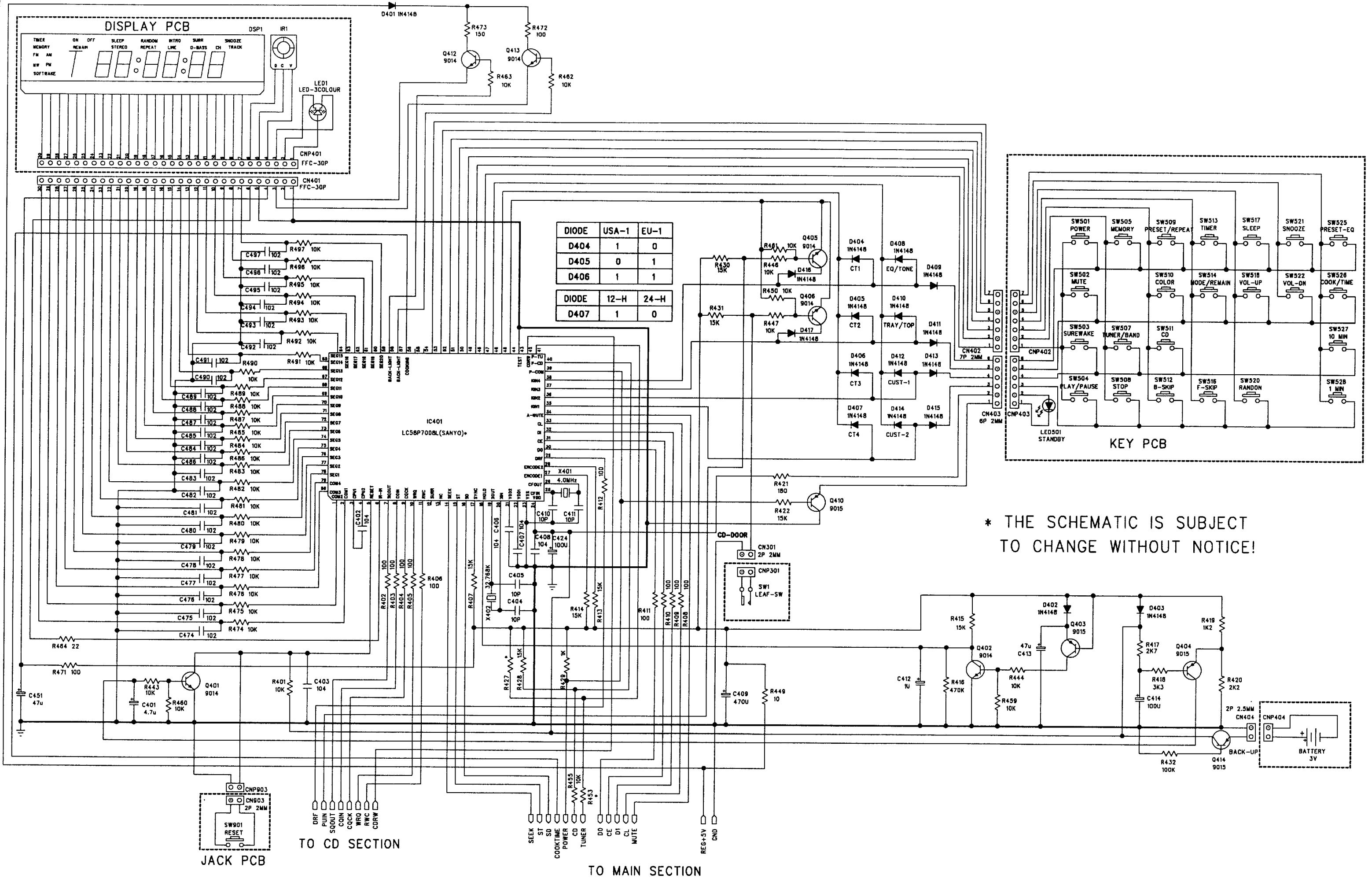
# DISPLAY PCB



# SCHEMATIC DIAGRAMS

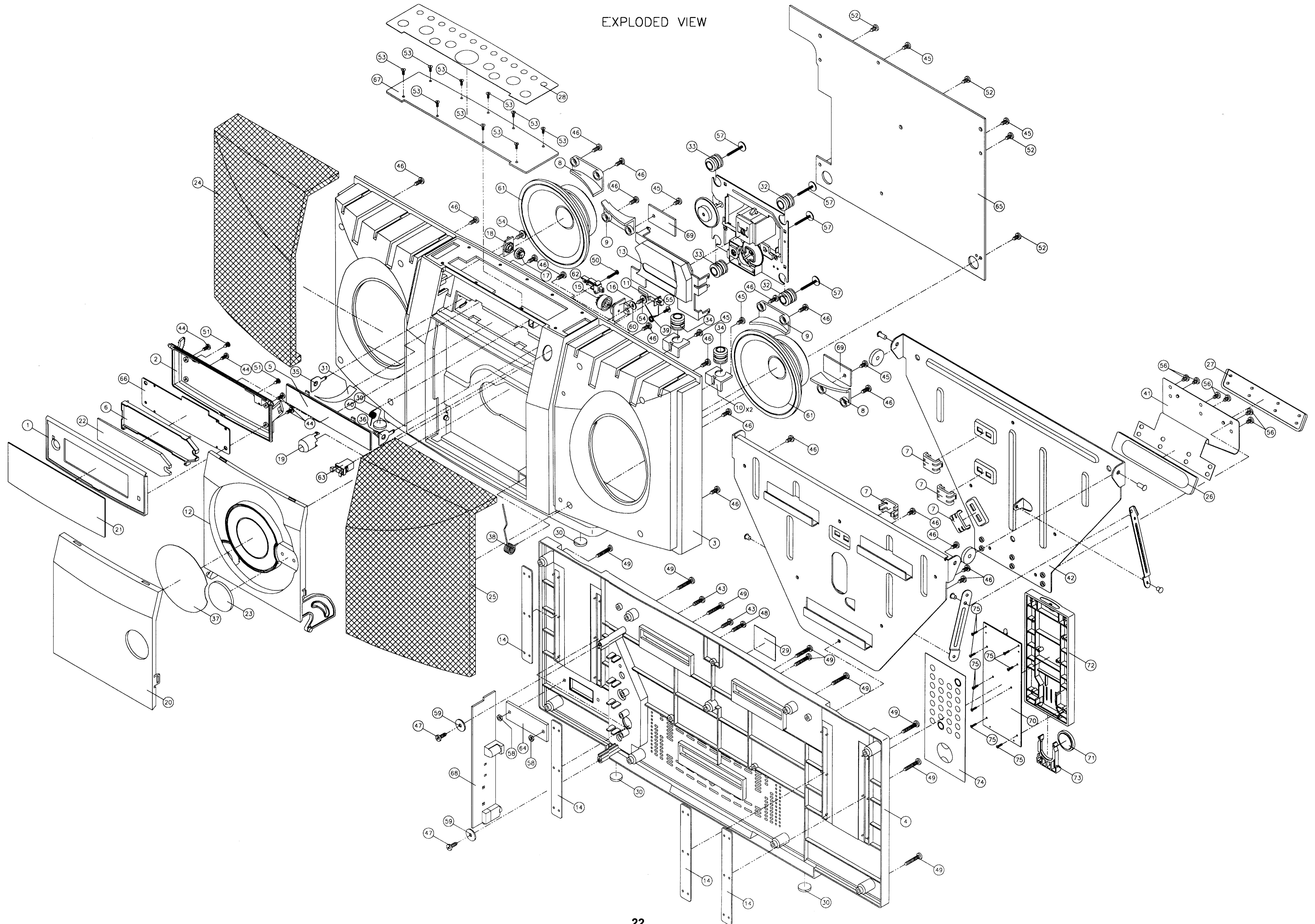






\* THE SCHEMATIC IS SUBJECT TO CHANGE WITHOUT NOTICE!

EXPLODED VIEW



## EXPLODED VIEW PARTS LIST

ITEM	PART NO.	DESCRIPTION	ITEM	PART NO.	DESCRIPTION
1	56-02AT180A1-10	DISPLAY FRONT COVER	39	61-97AT18001-00	CD DOOR OPEN SPRING
2	56-02AT181A1-10	DISPLAY REAR COVER	40	61-97AT18002-00	DISPLAY PANEL SPRING
3	56-04AT180A1-20	FRONT CABINET	41	61-68AT18030-00	HANDLE PLATE
4	56-05AT180A1-20	REAR CABINET	42	61-68AT18100-00	PULL WALL BRACKET ASS'Y
5	56-06AT180A1-10	BATTERY DOOR	43	66-220301031-00	MACHINE SCREW MS/BH 3x10
6	56-07AT18080-10	DISPLAY BRACKET	44	66-421260831-00	SELF-TAPPING SCREW TA/BH 2.6x8
7	56-07AT18180-10	WIRE BUSHING	45	66-421300831-00	SELF-TAPPING SCREW TA/BH 3x8
8	56-07AT18280-10	SPEAKER CLIP/L	46	66-421301031-00	SELF-TAPPING SCREW TA/BH 3x10
9	56-07AT18380-10	SPEAKER CLIP/R	47	66-421301231-00	SELF-TAPPING SCREW TA/BH 3x12
10	56-07AT18480-10	SHOCK ABSORBER BRACKET	48	66-421301631-00	SELF-TAPPING SCREW TA/BH 3x16
11	56-07AT18580-10	DISPLAY DOOR LEVEL LOCK	49	66-421302031-00	SELF-TAPPING SCREW TA/BH 3x20
12	56-14AT180A1-10	CD DOOR	50	66-422201211-00	SELF-TAPPING SCREW TB/BH 2x12 (BLACK)
13	56-22520ROB0-10	LASER COVER	51	66-431200531-00	SELF-TAPPING SCREW TA/PH 2x5
14	56-22AT182A1-10	PLATE -REAR CABINET	52	66-431300831-00	SELF-TAPPING SCREW TA/PH 3x8
15	56-24AT18080-10	CD DOOR GEAR	53	66-452200431-00	SELF-TAPPING SCREW TB/KH 2x4
16	56-24AT18180-10	CD DOOR GEAR BRACKET	54	66-481301032-00	SELF-TAPPING SCREW TA/WH 3x10
17	56-24AT18280-10	DISPLAY.DOOR GEAR	55	66-482200631-01	SELF-TAPPING SCREW TB/WH 2x6
18	56-24AT18380-10	DISPLAY.DOOR GEAR BRACKET	56	66-522300431-03	SCR S-TPG BTTB 3.0x4.0 MC
19	56-54AT180G1-10	LCD DOOR OPEN KNOB	57	66-922261921-00	SCREW TWP/BO 2.6x19 MC
20	56-57AT18100-70	CD DOOR LENS	58	67-230000200-00	NUT DIA 3mm
21	56-57AT18200-70	DISPLAY LENS	59	68-013312107-00	METAL WASHER 3.3x12x1mm
22	56-57AT18300-70	FILTER LENS	60	68-023008082-00	FIBER WAHER 3.0x8.0x0.8mm
23	56-58AT180G0-10	LOGO BADGE	61	19-810480100-04	SPEAKER 3.5" 4 OHM 8W
24	56-86AT180B0-20	SPEAKER FRAME/L	62	41-061132300-04	LEAF SWITCH
25	56-86AT181B0-20	SPEAKER FRAME/R	63	41-21DL32800-07	DOOR LOCK
26	56-22AT180A1-10	PLATE -UP	64	43-42100L2P0-03	ANT TERMINAL
27	56-22AT181A1-10	PLATE -DOWN	65	01-AT1800001-05	MAIN BOARD ASS'Y
28	57-08AT18000-07	INLAY M/U	66	01-AT1800004-00	DISPLAY BOARD ASS'Y
29	57-08AT18010-07	PVC PLATE/A	67	01-AT1800005-00	KEY BOARD ASS'Y
30	58-261202001-00	RUBBER FOOT	68	01-AT1800008-00	JACK BOARD ASS'Y
31	58-510339B00-00	BATTERY RIBBON	69	01-AT1800021-00	CONNECT BOARD ASS'Y
32	58-61AC10102-00	SHOCK ABSORBER (BLACK)	70	01-AT1800013-00	REMOTE BOARD ASS'Y
33	58-61AC10103-00	SHOCK ABSORBER (PINK)	71	51-112032000-00	LITHIUM BATTERY
34	58-61AC21000-00	SHOCK ABSORBER (RED)	72	56-43AT180A1-10	REMOTE REAR CABINET
35	61-25AT18000-00	BATTERY PLATE (+)	73	56-44AT180A1-10	REMOTE BATTERY DOOR
36	61-25AT18001-00	BATTERY PLATE (-)	74	57-33AT18000-07	REMOTE PLATE
37	61-68AT18000-00	CD DOOR PLATE	75	66-452140531-00	SELF-TAPPING SCREW TB/KH 1.4x5
38	61-97AT18000-00	CD DOOR SPRING			



## REPLACEMENT PARTS LIST

REF NO.	PART NO.	DESCRIPTION	
	01-1AT180001-00	REMOTE CONTROL ASS'Y	#AT-1800
	01-AT1800013-00	REMOTE BD ASS'Y	#AT-1800
: Q901	11-MMBT39040-00	TRANSISTOR	MMBT3904LT1
: LED1	13-28L000000-18	INFRARED LED (OPTO SENSOR)	OSE-8L (F)
: IC901	16-LC7461000-00	IC (SANYO)	LC7461M-8103
: R902	21-881103501-00	CHIP RESISTOR +-5% (2012)	1 OHM 1/10W (TAPING)
: R901	21-884223501-00	CHIP RESISTOR +-5% (2012)	2.2K OHM 1/10W (TAPING)
: C901,902	25-831510301-00	CHIP CERAMIC CAP +-5% (2012)	150PF 50V
: C904	26-334730101-09	ELECT CAP (RADIAL) "MITA"	47UF 10V +-20% (4x7mm)
: X901	31-345503035-20	CERAMIC RESONATOR (JIANGJIA)	ZTB455E
	48-AT1800013-00	REMOTE PCB 116.3x50mm FR4	#AT-1800
	02-AT1800001-00	REMOTE CASING ASS'Y	#AT-1800
	51-112032000-00	LITHIUM BATTERY (SONY)	#CR2032
	56-43AT180A1-10	REMOTE REAR CABINET (ABS)	#AT-1800 (SIL.)
	56-44AT180A1-10	REMOTE BATTERY DOOR (ABS)	#AT-1800 (SIL.)
	57-33AT18000-07	REMOTE PLATE (0.35PVC)	#AT-1800 "FISHER"
	61-25AT18002-00	BATTERY PLATE-R.C (+)	#AT-1800
	61-25AT18003-00	BATTERY PLATE-R.C (-)	#AT-1800
	66-452140531-00	SELF-TAPPING SCREW	TB/KH 1.4x5
	01-AT1800001-05	MAIN BD ASS'Y -A.I	#AT-1800
: Q311	11-2SA134602-03	TRANSISTOR (SANYO)	2SA1346
: Q307,308,309,310	11-2SD1936T0-03	TRANSISTOR (SANYO)	2SD1936T-SSH
: Q9,13	11-8550C0002-00	PNP TRANSISTOR 2W	8550C
: Q302,17	11-9012G0001-00	PNP TRANSISTOR 1W	9012G
: Q7,8,11	11-9013G0001-00	NPN TRANSISTOR 1W	9013G
: Q2,5,3,4,6,10,14,15,16,401,402,405,406,322,412	11-9014C0001-00	NPN TRANSISTOR	9014C
Q413,101,201,			
: Q301,403,404,410,414	11-9015C0001-00	PNP TRANSISTOR	9015C
: Q12	11-KSD882Y02-01	TRANSISTOR (SAMSUNG)	KSD882Y
: ZD2	12-110203100-03	ZENER DIODE +-5% (TELEFUKEN)	10V 1/2W
: ZD1	12-156103100-03	ZENER DIODE +-5% (TELEFUKEN)	5.6V 1/2W
: ZD3	12-162103100-03	ZENER DIODE +-5% (TELEFUKEN)	6.2V 1/2W
: D420	15-0001N4001-00	RECTIFIER DIODE	1N4001 1A 50V
: D1,2,3,4,5,6,7,403,404,407,409,411,406	15-0001N4148-00	SWITCHING DIODE	1N4148 (LEAD TYPE)
D421,401,413,414,415,416,417			
: TD1,2	15-SVC201SPA-11	VARACTOR DIODE (SANYO)	SVC201SPA
: TD3,4	15-SVC321SPA-11	VARACTOR DIODE (SANYO)	SVC321SPA
: IC4	16-BA5417000-01	IC (ROHM)	BA5417
: IC1	16-LA1823000-00	IC.(SANYO)	LA1823
: IC302	16-LA6541D00-01	IC (SANYO)	LA6541D
: IC304	16-LA9241M00-01	IC (SANYO)	LA9241M (QFP64E)
: IC401	16-LC5870083-00	IC.CPU (SANYO)	LC587008-1P42 QFP80A
: IC2	16-LC7213100-01	IC (SANYO)	LC72131
: IC3	16-LC7534200-00	IC.(SANYO)	LC75342
: IC303	16-LC78622NE-00	IC (SANYO)	LC78622NE
: R110,210	21-211223500-00	RESISTOR CARBON FILM +-5%	2.2 OHM 1/6W (TAPING)
: R5,40,449	21-212103000-00	RESISTOR CARBON FILM +-5%	10 OHM 1/6W
: R5,40,494	21-212103500-00	RESISTOR CARBON FILM +-5%	10 OHM 1/6W (TAPING)
: R331,464	21-212223500-00	RESISTOR CARBON FILM +-5%	22 OHM 1/6W (TAPING)
: R38,48	21-212333500-00	RESISTOR CARBON FILM +-5%	33 OHM 1/6W (TAPING)
: R301,402,403,404,405,406,408,409	21-213103500-00	RESISTOR CARBON FILM +-5%	100 OHM 1/6W (TAPING)
R410,411,412,423,424,425,471,472			
: R108,208	21-213123500-00	RESISTOR CARBON FILM +-5%	120 OHM 1/6W (TAPING)
: R473	21-213153500-00	RESISTOR CARBON FILM +-5%	150 OHM 1/6W (TAPING)
: R35,376	21-213223500-00	RESISTOR CARBON FILM +-5%	.
: R19,303,325,51,39,49	21-213333500-00	RESISTOR CARBON FILM +-5%	330 OHM 1/6W (TAPING)
: R378,380	21-213563500-00	RESISTOR CARBON FILM +-5%	560 OHM 1/6W (TAPING)
: R302,2	21-213683500-00	RESISTOR CARBON FILM +-5%	680 OHM 1/6W (TAPING)
: R45	21-214103000-00	RESISTOR CARBON FILM +-5%	1K OHM 1/6W
: R356,467,41,63,54,18,23,24,439,22,25,305,315	21-214103500-00	RESISTOR CARBON FILM +-5%	1K OHM 1/6W (TAPING)
C64 TO C48			
: R419	21-214123000-00	RESISTOR CARBON FILM +-5%	1.2K OHM 1/6W
: R306	21-214123500-00	RESISTOR CARBON FILM +-5%	1.2K OHM 1/6W (TAPING)

: R319	21-214153500-00	RESISTOR CARBON FILM +-5%	1.5K OHM 1/6W (TAPING)
: R21,328,421,420	21-214223500-00	RESISTOR CARBON FILM +-5%	2.2K OHM 1/6W (TAPING)
: R372,417,377,379	21-214273500-00	RESISTOR CARBON FILM +-5%	2.7K OHM 1/6W (TAPING)
: R8,20,47,418,67	21-214333500-00	RESISTOR CARBON FILM +-5%	3.3K OHM 1/6W (TAPING)
: R61,16,357,373,374,375,337,368	21-214473500-00	RESISTOR CARBON FILM +-5%	4.7K OHM 1/6W (TAPING)
: R53,365,333,105,205,394,395	21-214563500-00	RESISTOR CARBON FILM +-5%	5.6K OHM 1/6W (TAPING)
: R307,312,329,359,360,361,362,323,	21-214683500-00	RESISTOR CARBON FILM +-5%	6.8K OHM 1/6W (TAPING)
: R367	21-214823500-00	RESISTOR CARBON FILM +-5%	8.2K OHM 1/6W (TAPING)
: R477,478,479,480,481,486	21-215103000-00	RESISTOR CARBON FILM +-5%	10K OHM 1/6W
: R460,58,401,33,34,443,32,57,44,59,64,62,459,56,461	21-215103500-00	RESISTOR CARBON FILM +-5%	10K OHM 1/6W (TAPING)
R36,55,447,450,444,109,209,107,207,455,102,202,11,			
R12,14,26,462,463,465,313,322,474,475,476,482,483,			
R484,485,487,488,489,490,446,491,492,493,494,495			
R496,497,			
: R396,397,398	21-215123500-00	RESISTOR CARBON FILM +-5%	12K OHM 1/6W (TAPING)
: R324,363,364,370,428,429,422,430,415,413,414,	21-215153500-00	RESISTOR CARBON FILM +-5%	15K OHM 1/6W (TAPING)
R407,466,321,318,431			
: R304,103,203	21-215183500-00	RESISTOR CARBON FILM +-5%	18K OHM 1/6W (TAPING)
: R332,320,46,13,60,31	21-215223500-00	RESISTOR CARBON FILM +-5%	22K OHM 1/6W (TAPING)
: R326	21-215273500-00	RESISTOR CARBON FILM +-5%	27K OHM 1/6W (TAPING)
: R316	21-215333500-00	RESISTOR CARBON FILM +-5%	33K OHM 1/6W (TAPING)
: R101,201	21-215393500-00	RESISTOR CARBON FILM +-5%	39K OHM 1/6W (TAPING)
: R106,206,381,382,383,384,	21-215473500-00	RESISTOR CARBON FILM +-5%	47K OHM 1/6W (TAPING)
: R314,358,104,204	21-215563500-00	RESISTOR CARBON FILM +-5%	56K OHM 1/6W (TAPING)
: R317,336,399	21-215683500-00	RESISTOR CARBON FILM +-5%	68K OHM 1/6W (TAPING)
: R1,6,27,42,43,37,369,308,330,388,432	21-216103500-00	RESISTOR CARBON FILM +-5%	100K OHM 1/6W (TAPING)
FM ANT.			
: R327	21-216123500-00	RESISTOR CARBON FILM +-5%	120K OHM 1/6W (TAPING)
: R309,310,28	21-216223500-00	RESISTOR CARBON FILM +-5%	220K OHM 1/6W (TAPING)
: R385	21-216273500-00	RESISTOR CARBON FILM +-5%	270K OHM 1/6W (TAPING)
: R335,30	21-216393500-00	RESISTOR CARBON FILM +-5%	390K OHM 1/6W (TAPING)
: R416	21-216473500-00	RESISTOR CARBON FILM +-5%	470K OHM 1/6W (TAPING)
: R469	21-216563500-00	RESISTOR CARBON FILM +-5%	560K OHM 1/6W (TAPING)
: R468,29	21-216683500-00	RESISTOR CARBON FILM +-5%	680K OHM 1/6W (TAPING)
: R52,66	21-231223000-00	RESISTOR CARBON FILM +-5%	2.2 OHM 1/2W
: R50	21-232103000-00	RESISTOR CARBON FILM +-5%	10 OHM 1/2W
: C304	25-111060300-00	CERAMIC CAP DISC TYPE +-0.25PF	1PF 50V
: C1,43	25-121010300-00	CERAMIC CAP DISC TYPE +-5%	10PF 50V
: C305	25-121510300-00	CERAMIC CAP DISC TYPE +-5%	15PF 50V
: C32,33,34	25-123010300-00	CERAMIC CAP DISC TYPE +-5%	30PF 50V
: C359,360,367	25-126810300-00	CERAMIC CAP DISC TYPE +-5%	68PF 50V
: C37,40,312,350,363	25-131010300-00	CERAMIC CAP DISC TYPE +-5%	100PF 50V
: C41	25-131510300-00	CERAMIC CAP DISC TYPE +-5%	150PF 50V
: C111,211	25-132010300-00	CERAMIC CAP DISC TYPE +-5%	200PF 50V
: C323	25-133310300-00	CERAMIC CAP DISC TYPE +-5%	330PF 50V
: C7,3,330,372,474,478,479,480,481,482,483,484,485	25-141040300-00	CERAMIC CAP DISC TYPE +80%-20%	0.001UF 50V
C486,487,488,489,490,475,476,477,491,492,493,494			
C495,496,497,498,			
: C16,34,38,339,331,332,335,342,386,364,368,370	25-151040300-00	CERAMIC CAP DISC TYPE +80%-20%	0.01UF 50V
: C21,29,20	25-152040300-00	CERAMIC CAP DISC TYPE +80%-20%	0.02UF 50V
: C51	25-154740300-00	CERAMIC CAP DISC TYPE +80%-20%	0.047UF 50V
: C2,5,407,402,408,108,208,109,209,403,406	25-161040300-00	CERAMIC CAP DISC TYPE +80%-20%	0.1UF 50V
: C8,405	25-213010300-00	CERAMIC CAP DISC TYPE +-5%	3PF 50V (NPO)
: C404	25-215010300-00	CERAMIC CAP DISC TYPE +-5%	5PF 50V (NPO)
: C18	25-217010300-00	CERAMIC CAP DISC TYPE (NPO)	7PF 50V +-5%
: C6	25-218010300-00	CERAMIC CAP DISC TYPE +-5%	8PF 50V (NPO)
: C411,410	25-221010300-00	CERAMIC CAP DISC TYPE +-5%	10PF 50V (NPO)
: C347,348	25-221510300-00	CERAMIC CAP DISC TYPE +-5%	15PF 50V (NPO)
: C450	25-223010300-00	CERAMIC CAP DISC TYPE +-5%	30PF 50V (NPO)
: C42	25-233910300-00	CERAMIC CAP DISC TYPE +-5%	390PF 50V (NPO)
: C317,104,204	25-341010300-00	MYLAR CAP +-5%	0.001UF 50V
: C303	25-342210300-00	MYLAR CAP +-5%	0.0022UF 50V
: C9,107,207	25-342710300-00	MYLAR CAP +-5%	0.0027UF 50V
: C313,308,322,324,61,60,62	25-343310300-00	MYLAR CAP +-5%	0.0033UF 50V
: C103,203,326	25-351010300-00	MYLAR CAP +-5%	0.01UF 50V
: C389	25-351510300-00	MYLAR CAP +-5%	0.015UF 50V

: C315	25-351810300-00	MYLAR CAP +-5%	0.018UF 50V
: C365,390,391,	25-353310300-00	MYLAR CAP +-5%	0.033UF 50V
: C320	25-354710300-00	MYLAR CAP +-5%	0.047UF 50V
: C302,316,319,321,327,346,361,114,214,	25-361010300-00	MYLAR CAP +-5%	0.1UF 50V
: C13,14,311,328	26-312230500-00	ELECT CAP (RADIAL)	0.22UF 50V +-20% (NORMAL SIZE)
: C12,45,412,102,202,106,206,110,210,105,205,336	26-321030500-00	ELECT CAP (RADIAL)	1UF 50V +-20% (NORMAL SIZE)
: C15,64,63,	26-322230500-00	ELECT CAP (RADIAL)	2.2UF 50V +-20% (NORMAL SIZE)
: C35	26-323330500-00	ELECT CAP (RADIAL)	3.3UF 50V +-20% (NORMAL SIZE)
: C310,318,401,	26-324730500-00	ELECT CAP (RADIAL)	4.7UF 50V +-20% (NORMAL SIZE)
: C10,19,24,333,301,325,47,57	26-331030500-00	ELECT CAP (RADIAL)	10UF 50V +-20% (NORMAL SIZE)
: C369,309	26-332230500-00	ELECT CAP (RADIAL)	22UF 50V +-20% NORMAL
: C329,385,413,49,451	26-334730300-00	ELECT CAP (RADIAL)	47UF 25V +-20% (NORMAL SIZE)
Q10 "b" TO "e"			
: C55,414,424,52,53,334,31,54	26-341030100-00	ELECT CAP (RADIAL)	100UF 10V +-20% (NORMAL SIZE)
: C56,113,213,	26-341030200-00	ELECT CAP (RADIAL)	100UF 16V +-20% (NORMAL SIZE)
: C39,22,112,212,382	26-342230100-00	ELECT CAP (RADIAL)	220UF 10V +-20% (NORMAL SIZE)
: C338,409	26-344730100-00	ELECT CAP (RADIAL)	470UF 10V +-20% (NORMAL SIZE)
: C46	26-351030100-00	ELECT CAP (RADIAL)	1000UF 10V +-20% (NORMAL SIZE)
: C337,115,215	26-351030200-00	ELECT CAP (RADIAL)	1000UF 16V +-20% (NORMAL SIZE)
: C58	26-353330300-00	ELECT CAP (RADIAL)	3300UF 25V +-20% NORMAL
: CT2	28-120110100-02	TRIMMER (SINGLE)	DIA 8MM 20PF
: X401	31-104000500-18	CRYSTAL (FARGO)	4.0 MHz HC-49/U
: X402	31-132762036-00	CRYSTAL (FARGO) (SIZE:3x8mm)	32.768KHz +/-20PPM
: X1	31-145004000-18	CRYSTAL (FARGO)	4.500MHz HC-49/U
: CF1	31-210705100-01	CERAMIC FILTER (MURATA)	SFE10.7MA5-A (RED) (3PIN)
: CF2	31-245003015-01	CERAMIC FILTER (MURATA)	SFU450B
: X301	31-316935055-20	CERAMIC RESONATOR (JIANGJIA)	ZTA16.93MX (2PIN)
: CF3	31-610705021-01	DISCRIMINATOR FILTER	CDA 10.7MG1-A (2 PIN)
	32-211801100-00	FERRITE BAR	SIZE:10x80mm
: L2	38-202510005-00	FM COIL	5 x 2.5T (0.8mm)
: L3	38-203510004-00	FM COIL	4.5 x 3.5T (0.8mm)
: L1	38-204510004-00	FM COIL	4.5 x 4.5T (0.8mm)
	38-206820000-00	AM COIL M7 AD/10.5mm	68:20T B.R.G=100mm W=130mm
: L301,4	38-310000000-30	AXIAL INDUCTORS	100UH +-10%
: T2	40-0000660R2-18	I.F.T.10mm (KONI)	660R (RED)
: T3	40-0000A0494-18	I.F.T. 10mm (KONI)	A049 (YELLOW)
: CN401	43-9A1001301-00	WAFER (F.F.C)	30P P=1.0mm 180C
: CN302	43-9A1002161-01	WAFER (F.F.C) (TPG)	16P P=1.0mm 180C (GREY)
: CN301	43-9A2001021-00	WAFER 2 PINS P=2mm 180C	
: CN303,403	43-9A2001061-00	WAFER 6 PINS P=2mm 180C	
: CN402	43-9A2001071-00	WAFER 7 PINS P=2mm 180C	
: CN404	43-9A2501021-00	WAFER 2 PINS P=2.5mm 180C	
: CN2	43-9B2501021-00	WAFER 2 PINS P=2.5mm 90C	
: CN1	43-9B2501041-00	WAFER 4 PINS P=2.5mm 90C	
: J1-76	44-102440110-0A	BARE WIRE	dia 0.5mm L=40mm
: MAIN PCB CNP903 TO JACK CN903	44-512628252-00	2P WIRE (UL1007 #26) SINGLE	HOUSING(2.0mm) L=280mm
: MAIN PCB CNP901 TO CN901	44-522219255-E1	5P WIRE(UL1007 #22) W/SINGLE	HOUSING(2.5) L=190mm
: FOR MAIN PCB TO CNP902 TO JACK CN92	44-522222252-00	2P WIRE(UL1007#22) W/SINGLE	HOUSING(2.5mm) L=220mm
: C482,483	47-301050102-10	UL TUBE	I.D. 1x0.5x10mm
: C484,485,486	47-301050122-10	UL TUBE	1x0.5x12mm
	48-AT1800001-11	MAIN PCB 250x182x1.6mm 94V0	#AT-1800
	56-070FC1102-AA	BAR HOLDER H=15mm AD:10mm	#FC-11
: L1,2	58-82PR00200-00	SPONGE	10x10x10mm (WHITE)
: Q12 (2SD882P)	61-48D77P000-00	HEATSINK 34x16.4x7.5mm	#D77P
: IC4	61-48SKCV200-00	HEAT SINK	#SKC-V2 (19+65+19)x34x2.0mm
: Q12	66-220300831-00	MACHINE SCREW	MS/BH 3x8
: IC4	66-522300631-03	SCREW	BTTB 3.0x6.0 MC
: FOR Q12,	67-230000200-00	NUT	DIA 3mm
	01-AT1800004-00	DISPLAY BD ASS'Y	#AT-1800
: .	13-110900000-00	LED LAMP (SONGI)	DJTK109SR (BLUE/RED)
	13-5AT180000-02	LCD DISPLAY (HICO)	IS06386P00
: IR1	17-57138V400-02	OPTIC SENSER (ROHM)	RPM7138-V4
: CNP401	43-9B1001301-00	WAFER (F.F.C)	30P P=1.0mm 90C
	48-AT1800004-00	DISPLAY PCB 114.5x36.6x1mm94HB	#AT-1800
	57-26AT18000-00	FILTER SHEET 82.6x26.5mm	#AT-1800
	58-58AT18000-00	RUBBER CUSHION	#AT-1800 9x7x3mm

	01-AT1800005-00	KEY BD ASS'Y	#AT-1800
: LED1	13-1MSC32DC0-31	LED (MICRO) (RED)	MSC32D-C DIA:2.94mm
: FOR MAIN PCB CN403	44-512812256-00	6P WIRE(UL1571#28) W/SINGLE	HOUSING(2mm) L=120mm
: TO MAIN PCB CN402	44-512812257-04	7P WIRE(UL1571 #28) W/SINGLE	HOUSING(2mm) L=120mm
	48-AT1800005-10	KEY PCB 183.4x46.8x1mm 94V0	#AT-1800
	01-AT1800008-00	JACK BD ASS'Y	#AT-1800
: R100,200,	21-213153000-00	RESISTOR CARBON FILM +-5%	150 OHM 1/6W
: R901,902,903,	21-215103000-00	RESISTOR CARBON FILM +-5%	10K OHM 1/6W
: C902	25-162241200-00	CERAMIC CAP DISC TYPE +80%-20%	0.22UF 16V
: C901	26-331030500-00	ELECT CAP (RADIAL)	10UF 50V +-20% (NORMAL SIZE)
: L901,902,100,200	32-335130000-00	FERRITE BEAD W/WIRE 4T	15UH 450mA (3.5x1.35x3mm)
: SW901	41-160000005-0J	TACT SWITCH	TSC-063803-150 (L=3.85mm)
: HPJ1	43-433802005-01	PHONE JACK W/SW (TAI CHUNG)	TC38-020-05-01
: SWJ1	43-451080000-37	RCA JACK 1P (WELL LONG)	RCA-108 (BLK)
: DCJ1	43-531801303-22	DC JACK (TAI CHUNG)	TC18-013-03
: CN903	43-9A2001021-00	WAFER 2 PINS P=2mm 180C	
: CN902	43-9A2501021-00	WAFER 2 PINS P=2.5mm 180C	
: CN901	43-9A2501051-00	WAFER 5 PINS P=2.5mm 180C	
: L903	44-102440110-0A	BARE WIRE	dia 0.5mm L=40mm
	48-AT1800008-10	JACK PCB 143x30x1.6mm 94V0	#AT-1800
	01-AT1800021-00	CONNECT BD ASS'	#AT-1800
: R120,220	21-251803000-00	RESISTOR CARBON FILM +-5%	8 OHM 2W
: C120,220	26-632230500-00	NP ELECT CAP (RADIAL)	22UF 50V +-20% (NORMAL SIZE)
: L120,220	38-420020000-08	CHOKO COIL (DIA6xH=8mm)	0.2MH 1A
: W	44-302204002-41	STRAND JUMPER WIRE UL1007	AWG22 4+32+4mm (RED)
	48-AT1800021-10	CONNECT PCB/1 94V0	#AT-1800
	48-AT1800022-10	CONNECT PCB/2 94V0	#AT-1800
	02-AT1800100-00	MOUNTING BRACKET ASS'Y	#AT-1800
	56-22AT180A1-10	PLATE-UP (ABS)	#AT-1800 (SIL.)
	56-22AT181A1-10	PLATE-DOWN (ABS)	#AT-1800 (SIL.)
	61-68AT18030-00	HANDLE PLATE	#AT-1800
	61-68AT18100-00	PULL WALL BRACKET ASS'Y	#AT-1800
: HANDLE PLATE	66-522300431-03	SCR S-TPG	BTTB 3.0x4.0 MC
	02-AT1800313-00	CASING ASS'Y UL DC12V	#AT-1800 (CLOTH:SIL.)
	19-810480100-04	SPEAKER (TEHO)	#ABDBCE004 3.5" 4 OHM 8W
	41-061132300-04	LEAF SWITCH (TAICHUNG)	TC48-021-01
	41-21DL32800-07	DOOR LOCK (LUCKY FIRST)	DL-328
	43-42100L2P0-03	ANT TERMINAL (UNITRONIC)	AT-100L-2P
: CD MOTOR	44-512810256-N4	6P WIRE(#28UL1571) W/BOTH	HOUSING(2mm) L=100mm
: LEAF SWITCH TO MAIN PCB CN301	44-512818252-00	2P WIRE(#28UL1007) W/SINGLE	HOUSING(2mm) L=180mm
: BACK UP BATTERY TO MAIN PCB CN404	44-522220252-10	2P WIRE(#22UL1007) W/SINGLE	HOUSING(2.5) L=200/80mm
: SPEAKER TO MAIN PCB CN1	44-522225254-10	4P WIRE(#22UL1007) W/SINGLE	HOUSING(2.5) L=250x2/180x2
: MAIN PCB TO ANT TERMINAL	44-522228252-00	2P WIRE(#22) W/SINGLE	HOUSING(2.5mm) L=280mm
	44-8E0006066-00	16P FLEX FLAT CABLE 1mm S4+4	(0.035x0.7mm) L=60mm (D.SAME)
: MAIN BD TO DISPLAY BD	44-8E0008080-00	30P FLEX FLAT CABLE 1mm S4+4	(0.035x0.7mm) L=80mm(D.SAME)
	57-08AT18000-07	INLAY M/U (0.35PVC)	#AT-1800
: FM 75 HOLE	57-08AT18010-07	PVC PLATE/A	#AT-1800
	58-09KOPEN00-00	CABLE TIE 2.5MMx4" #CV-100	
	58-190275700-00	FELT (W/TAPE)	5x20x0.6mm
	58-261202001-00	RUBBER FOOT(HARD)(PORON)	DIA:12mm T=2.0mm
	58-510339B00-00	BATTERY RIBBON	W=9 +/-0.5mm L=120mm (BLACK)
: CD DECK	58-580150703-00	RUBBER CUSHION 15x7x3mm (BLK)	(W/TAPE 15x7mm)
: CD DECK	58-58AT18001-00	RUBBER CUSHION	#AT-1800 10x20x1.5mm
	58-61AC10102-00	SHOCK ABSORBER (BLACK)	(SOFT TYPE 30C AC101-G01)
	58-61AC10103-00	SHOCK ABSORBER (PINK)	(SOFT TYPE 35C AC101-G01)
	58-61AC21000-00	SHOCK ABSORBER (RED)	(SOFT TYPE 30C AC210)
	58-76AT180A1-00	SPK CLOTH 200x300mm	#AT-1800 (SIL.ST-021-01)
	61-25AT18000-00	BATTERY PLATE (+)	#AT-1800
	61-25AT18001-00	BATTERY PLATE (-)	#AT-1800
	61-68AT18000-00	CD DOOR PLATE (T0.3mm)	#AT-1800
	61-97AT18000-00	CD DOOR SPRING (T1.2mm)	#AT-1800
	61-97AT18001-00	CD DOOR OPEN SPRING (T0.4mm)	#AT-1800
	61-97AT18002-00	DISPLAY PANEL SPRING (T0.8mm)	#AT-1800
: ANT TERMINAL BOARD x2	66-220301031-00	MACHINE SCREW	MS/BH 3x10
: DISPLAY FRONT COVER TO REAR COVER	66-421260831-00	SELF-TAPPING SCREW	TA/BH 2.6x8
: MAIN PCB x2	66-421300831-00	SELF-TAPPING SCREW	TA/BH 3x8

ABSORBER HOLDER x2			
SPK CLIP x2			
: SPK FRAME x8	66-421301031-00	SELF-TAPPING SCREW	TA/BH 3x10
SPK CLIP x6			
: FOR JACK PCB TO REAR CAB x2	66-421301231-00	SELF-TAPPING SCREW	TA/BH 3x12
: JACK PCB TO REAR CAB	66-421301631-00	SELF-TAPPING SCREW	TA/BH 3x16
: FRONT CAB TO REAR CAB x9	66-421302031-00	SELF-TAPPING SCREW	TA/BH 3x20
: DISPLAY FRONT COVER TO REAR COVER	66-431200531-00	SELF-TAPPING SCREW	TA/PH 2x5
: FOR MAIN PCB x4	66-431300831-00	SELF-TAPPING SCREW	TA/PH 3x8
: CONTROL PCB	66-452200431-00	SELF-TAPPING SCREW	TB/KH 2x4
: FOR GEAR HOLDER	66-481301032-00	SELF-TAPPING SCREW	TA/WH 3x10 (HEAD:10mm)
: FOR DISPLAY DOOR SPRING	66-482200631-01	SELF-TAPPING SCREW	TB/WH 2x6
: CD DECK	66-922261921-00	SCREW	TWP/BO 2.6x19 MC
: ANT TERMINAL x2	67-230000200-00	NUT	DIA 3mm
: JACK PCB	68-013312107-00	METAL WASHER	3.3x12x1mm
: CD GEAR	68-023008082-00	FIBRE WASHER	3.0x8.0x0.8mm
	71-70DA11B3N-02	CD MECHANISM (SANYO)	DA11B3N
	03-AT1800313-00	PACKING ASS'Y UL DC12V	#AT-1800 "FISHER"
	36-211200001-00	AC ADAPTER UL APP 120V	#AT-1000 #U120160DA4
	45-190000001-00	FM ANTENNA LEAD (WHITE) L=1.5M	#26 UL1007 WIRE W/4.2mm RING*
: FOR BY BUYER	56-621500020-10	SCREW SPACE (ABS)	#SL-1500 (RED)
	56-62AT18080-10	SPACER/A (ABS)	#AT1800
	56-62AT18180-10	SPACER/B (ABS)	#AT1800
	56-62AT18280-10	SPACER/C (ABS)	#AT1800
	56-62AT18380-10	SPACER/D (ABS)	#AT1800
	56-68AT18080-10	PLASTIC WASHER (ABS)	#AT1800
	66-220508021-00	SPECIAL SCREW	MS/KH 5x80mm
: MOUNTING BRACKET (FOR BUYER)	66-220509821-00	SPECIAL SCREW	MS/KH 5x98mm
: MOUNTING BRACKET TO REAR CAB x5 (F	66-421301031-00	SELF-TAPPING SCREW	TA/BH 3x10
: FOR BY BUYER	66-421302531-00	SELF-TAPPING SCREW	TA/BH 3x25
	67-250000300-00	NUT	M5mm
	76-02AT18000-00	CARTON (2SETS)	#AT-1800 506x384x278mm
	76-06AT18001-00	POLYFOAM CUT SHEET	#AT-1800
: MOUNTING BKT	76-08AT18000-00	PAPER CARD 110x90x3mm	#AT-1800
: FOR REMOTE	76-520308005-01	POLYBAG (PE-HD02)3"x8"x0.05mm	W/REC.& WARNING(E) *
: I/B	76-520812005-03	POLYBAG 02PEHD 8"x12"x0.05mm	W/WARN(E/F/S),REC.MARK 2HOLE *
: FOR MOUNTING	76-521315005-04	POLYBAG 02PEHD 13"x15"x0.05mm	W/WARN(E/F/S),REC.MARK,8HOLE
: FOR UNIT	76-521324005-04	POLYBAG 02PEHD 13"x24"x0.05mm	W/WARN(E/F/S),REC.MARK,12HOLE*
: FOR SCREW &	76-523535005-00	POLYBAG 02PEHD 3.5x3.5"x0.05mm	W/ RECYCLE.MARK
SCREW SPACER 3x25 X1pcs			
SCREW 3x10mm x1PCS			
FM ANT x1			
: FOR SCREW SPACER (PLASTIC)	76-523555005-00	POLYBAG 02PEHD 3.5x5.5"x0.05mm	W/WARN(E/F)RECYCLE.MARK 4HOLE
SCREW 5x98mm /5x80mm /UNT5mm x			
: UNIT	76-55D810000-00	POLY SHEET PE02HD	950x135mm W/REC.MARK
	76-64AT18001-00	POLYFOAM TOP-L (40+-3g)	#AT-1800
	76-64AT18002-00	POLYFOAM TOP-R (45+-3g)	#AT-1800
	76-65AT18001-00	POLYFOAM BOTTOM-L (25+-3g)	#AT-1800
	76-65AT18002-00	POLYFOAM BOTTOM-R (40+-3g)	#AT-1800
	77-01AT18001-01	GIFT BOX 490x185x258mm	#AT-1800 "FISHER" (R1)
	77-060000001-00	Q A PASSED LABEL	
	77-070000001-00	Q C PASSED LABEL	
: FOR GIFT BOX x1	77-11AT18001-00	UPC & SERIAL NO LABEL	#AT-1800 45x23mm
UNIT x1			
CARTON x2			
: FOR GIFT BOX x1	77-11AT18002-00	PRODUCT CODE LABEL	#AT-1800 (F41821145)
CARTON x 2			
: FOR	77-11AT18003-00	BAR CODE LABEL	#AT-1800 (647132003167)
CARTON x2			
	77-18AT10002-00	FCC+DHHS LABEL W/DATE CODE	#AT-1000 "FISHER"
	77-1XAT18000-00	CD TRAY CARD	#AT-1800
	77-20AT18001-00	INSTRUCTION MANUAL	#AT1800 "FISHER"
	77-21AT18010-00	SPEC SHEET	#AT-1800 (SCREW 3x25mm)
	77-21AT18011-00	SPEC SHEET	#AT-1800 (SCREW 5x98mm)
	77-21AT18012-00	SPEC SHEET	#AT-1800 (SCREW 3x10mm)
	77-21AT18013-00	SPEC SHEET	#AT-1800 (SCREW SPACER)

	77-31AT18000-00	RATING LABEL	#AT-1800 "FISHER"
	77-90AT18000-00	BATTERY LABEL	#AT-1800
	06-AT1800313-00	PLASTIC ASS'Y UL DC12V	#AT-1800 "FISHER"
	56-02AT180A1-10	DISPLAY FRONT COVER (ABS)	#AT-1800 (SIL.)
	56-02AT181A1-10	DISPLAY REAR COVER (ABS)	#AT-1800 (SIL.)
	56-04AT180A1-20	FRONT CABINET (HIPS)	#AT-1800 (SIL.)
	56-05AT180A1-20	REAR CABINET (HIPS)	#AT-1800 (SIL.)
	56-06AT180A1-10	BATTERY DOOR (ABS)	#AT-1800 (SIL.)
	56-07AT18080-10	DISPLAY BRACKET (ABS)	#AT-1800
	56-07AT18180-10	WIRE BUSHING (ABS)	#AT-1800
	56-07AT18280-10	SPEAKER CLIP/L (ABS)	#AT-1800
	56-07AT18380-10	SPEAKER CLIP/R (ABS)	#AT-1800
	56-07AT18480-10	SHOCK ABSORBER BRACKET (ABS)	#AT-1800
	56-07AT18580-10	DISPLAY DOOR LEVEL LOCK (ABS)	#AT-1800
	56-14AT180A1-10	CD DOOR (ABS)	#AT-1800 (SIL.)
	56-22520R0B0-10	LASER COVER	#520R
	56-22AT182A1-10	PLATE-REAR CABINET (ABS)	#AT-1800 (SIL.)
	56-24AT18080-10	CD DOOR GEAR (ABS)	#AT-1800
	56-24AT18180-10	CD DOOR GEAR BRACKET (ABS)	#AT-1800
	56-24AT18280-10	DISPLAY.DOOR GEAR (ABS)	#AT-1800
	56-24AT18380-10	DISPLAY.DOOR GEAR BKT (ABS)	#AT-1800
	56-54AT180G1-10	LCD DOOR OPEN KNOB (ABS)	#AT-1800 (CHROME)
	56-57AT18100-70	CD DOOR LENS (PMMA)	#AT-1800
	56-57AT18200-70	DISPLAY LENS (PMMA)	#AT-1800
	56-57AT18300-70	FILTER LENS (PMMA)	#AT-1800
	56-58AT180G0-10	LOGO BADGE (ABS)	#AT-1800 "FISHER"
	56-86AT180B0-20	SPEAKER FRAME/L (HIPS)	#AT-1800
	56-86AT181B0-20	SPEAKER FRAME/R (HIPS)	#AT-1800
	07-AT1800100-00	INDIRECT MATERIAL -PCB	#AT-1800
	79-290306330-00	HIGH TEMPERATURE MASKING TAPE	W=1/4" (S/N:A52)
	79-290312730-00	HIGH TEMPERATURE MASKING TAPE	W=1/2" (S/N:A53)
	79-300119030-00	PVC INSULATING UL TAPE (BLACK)	W=19mm (S/N:A23)
	79-460101030-00	SOLDER WIRE 50%	DIA 1.0mm (S/N:B7)
	79-480105020-00	SOLDER BAR	50% (S/N:B1)
	79-480206320-00	SOLDER BAR	63% (S/N:B2)
	79-510105030-00	HEATSINK GREASE	(S/N:B22)
	79-620204830-00	WAX LOW TEMPERATURE	#BAOYE (S/N:B11)
	79-650100000-00	HOTMELT STICK	DIA11x30mm(30g) (S/N:B57)
	79-680203530-00	GLUE (YELLOW)	#BY-883A (S/N:B26)
	79-730201540-00	THINNER	#680 (S/N:B50)
	79-730502040-00	SOLVENTS	#880B (S/N:B48)
	79-730701540-00	ROSIN NO CLEAN FLUX	#1107 (S/N:B49)
	07-AT1800200-00	INDIRECT MATERIAL -UNIT	#AT-1800
	79-280203130-00	DOUBLE FACE TAPE (STRONG)	W=1/8" (S/N:A13)
	79-280206331-00	DOUBLE FACE TAPE (STRONG)(BLK)	W=1/4" (S/N:A20)
	79-290106330-00	LOW TEMPERATURE MASKING TAPE	W=1/4" (S/N:A7)
	79-290112730-00	LOW TEMPERATURE MASKING TAPE	W=1/2" (S/N:A8)
	79-300119030-00	PVC INSULATING UL TAPE (BLACK)	W=19mm (S/N:A23)
	79-310112730-00	THREAD SEAL TAPE (3M)	W=1/2" (S/N:A32)
	79-340112730-00	P.P TAPE	W=1/2" (S/N:A26)
	79-340163530-00	P.P CARTON SEALING TAPE	W=2.5" (S/N:A28)
	79-460101030-00	SOLDER WIRE 50%	DIA 1.0mm (S/N:B7)
	79-540101030-00	DAMPING GREASE	#G-330 (S/N:B38)
	79-570101030-00	SI-LUBRICANTS	#EM-50L (S/N:B37)
	79-650100000-00	HOTMELT STICK	DIA11x30mm(30g) (S/N:B57)
	79-680203530-00	GLUE (YELLOW)	#BY-883A (S/N:B26)
	79-680501030-00	GLUE	#IA-34 (S/N:B30)
	79-700300000-00	AA GLUE	(S/N:B31)
	79-730301540-00	SOLVENTS	#BY-12B (S/N:B44)
	79-730903040-00	SOLVENTS (CHLOROFORM)	(S/N:B51)
	07-AT1800201-00	INDIRECT MATERIAL-SPK GRILL,RC	#AT-1800
	79-340112730-00	P.P TAPE	W=1/2" (S/N:A26)
	79-680203530-00	GLUE (YELLOW)	#BY-883A (S/N:B26)
	79-730301540-00	SOLVENTS	#BY-12B (S/N:B44)